

Linea Color™ 8K Camera Link CMOS Line Scan Cameras



High Performance and Low Cost. Now in Color.

The new Linea Color™ line scan camera delivers the exceptional performance and features found in Teledyne DALSA's current lineup of high-end cameras at an unprecedented price point.

Based on bilinear CMOS technology, the Linea Color camera has a 8k, 7.04 μm x 7.04 μm pixel array, and a 48 kHz maximum line rate. With excellent sensitivity and speed, Linea Color surpasses the requirements of demanding applications—such as materials grading, web inspection, and general purpose machine vision.

The Linea Color is a compact, light weight and robust camera with many attractive features, including flat-field correction, multiple ROI, multiple user configuration sets, and calibration coefficients for various lighting conditions.

The GenICam™ compliant Linea is easy to set up and integrate using a GUI, such as Teledyne DALSA's Sopera™ camera configuration utility CamExpert, or an ASCII interface using three letter commands.

Key Features

- High speed: up to 48 kHz
- 8192 x 2 pixel resolution
- Low cost and compact
- Camera Link interface

Programmability

- GenICam or ASCII compliant interfacing
- Multiple Regions of Interest for calibration and data reduction
- 8 or 12 bit output, selectable
- Smart flat field and lens shading correction
- 8 programmable coefficient sets

Typical Applications

- Automated optical inspection
- High performance sorting systems
- Materials grading
- Web inspection
- General purpose machine vision

Regulatory Compliance

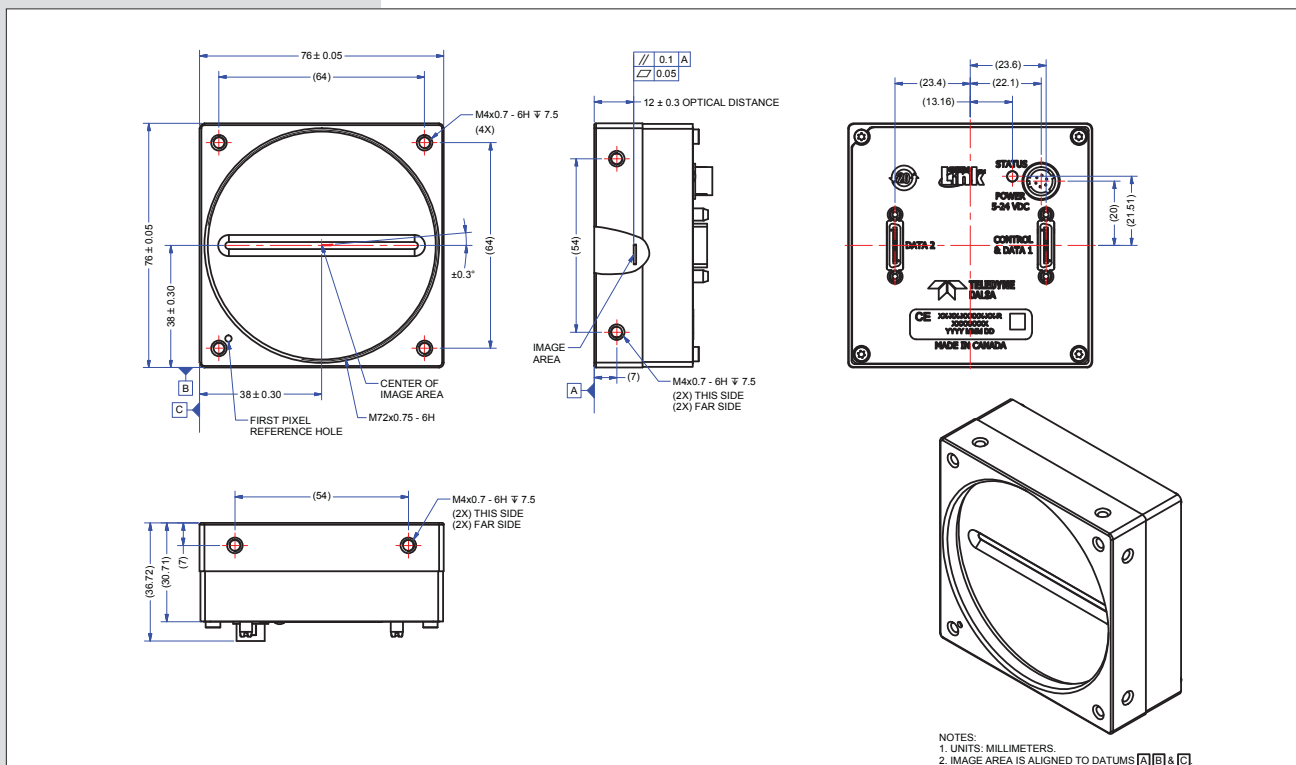
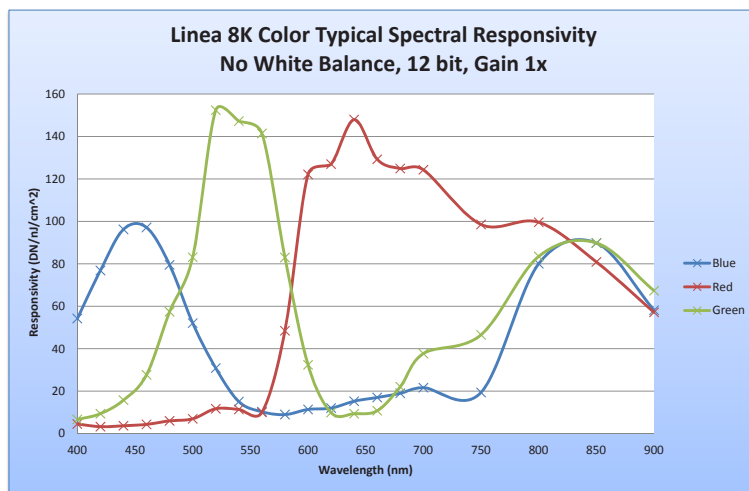
- CE, FCC and RoHS

Specifications

Resolution	8192 x 2 pixels
Line Rate	Up to 48 kHz
Pixel Size	7.04 μm x 7.04 μm
Data Format	8 or 12 bit selectable
Output	Base, Medium, Full, and Deca Camera Link
Lens Mount	M72 x 0.75, F-mount adapter available
Responsivity	See graph
Dynamic Range	> 60 dB
Nominal Gain Range	1x to 12.5x
Size	76.0 mm x 76.0 mm x 30.7 mm
Mass	< 310 g
Operating Temp	0 °C to 65 °C (front plate)
Power	Hirose 6-pin, 12 V to 24 V DC
Power Dissipation	< 8 W
Control & Data	SDR-26 mini Camera Link

Models			
Part Number	Resolution	Maximum Line Rates	Pixel Size
LA-CC-08K05B-00-R	8192 x 2	48 kHz	7.04 μm x 7.04 μm

Linea Color™ 8K Camera Link CMOS Line Scan Cameras



www.teledynedalsa.com

Americas

Boston, USA
+1 978-670-2000
sales.americas@teledynedalsa.com

Europe

Krailling, Germany
+49 89-89-54-57-3-80
sales.europe@teledynedalsa.com

Asia Pacific

Tokyo, Japan
+81 3-5960-6353
sales.asia@teledynedalsa.com

Shanghai, China
+86 21-6427-9081

sales.asia@teledynedalsa.com