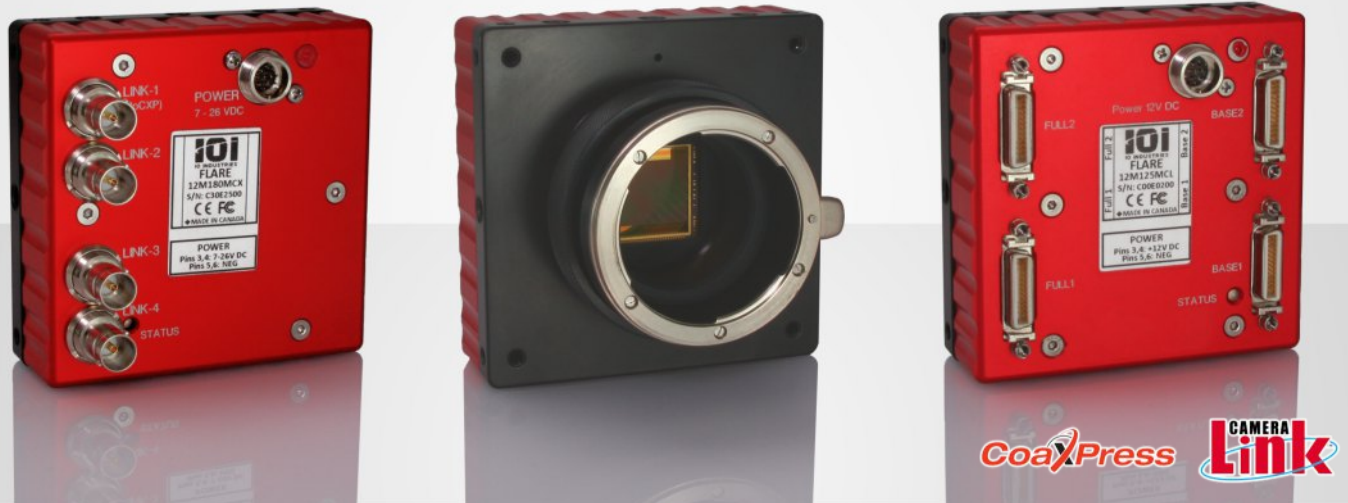


# Flare™

## 12MP CAMERAS



### *Video cameras with CMOSIS CMV12000 Sensors*

#### APPLICATIONS

Automated Inspection

High Speed Motion Analysis

Research Imaging

Specialty Video Production



#### FEATURES INCLUDE:

- Monochrome, Colour and Near-IR Models
- Global Shutter CMOS with CDS
- CoaXPress or Camera Link Output
- Multiple Lens Mount Options
- Selectable 8-bit or 10-bit Data Formats
- High Sensitivity with Low Noise
- Advanced Auto Exposure Control
- Auto White Balance

# SPECIFICATIONS

<b>Camera Model</b>	<b>Flare 12MP</b>
<b>Sensor Size (H x V)</b>	4096 x 3072
<b>Frame rate (full resolution)</b>	CX: 187 fps (8-bit), 149 fps (10-bit) CL: 124 fps (8-bit), 100 fps (10-bit)
<b>Optical Format</b>	Super 35mm / APS-C (28.1mm diagonal)
<b>Sensor Type</b>	CMOS w. global electronic shutter
<b>Sensor Options</b>	Monochrome, color (Bayer) or NIR-enhanced monochrome
<b>Pixel Size</b>	5.5 x 5.5µm
<b>Dynamic Range / Sensitivity</b>	60 dB, 4.64 V/lux.s
<b>Output Configurations</b>	CX: 1/2/4 links at 3.125Gbps (CXP-3), 5.0Gbps (CXP-5) or 6.25Gbps (CXP-6) CL: Base, Medium, Full, Full 80-bit, Dual Full 80-bit (80MHz Pixel Clock)
<b>Pixel Bit Depth</b>	8-bit or 10-bit
<b>Exposure Control</b>	Trigger width, timed, or auto-exposure control
<b>Image Correction</b>	Black level, row and column-based FPN/PRNU correction,
<b>Color Processing</b>	Auto white balance (tracking or manual), programmable
<b>Camera Configuration</b>	GenICam (CX), ASCII commands (CL), or Flare Control
<b>Mechanical/Electrical</b>	
<b>Dimensions</b>	91.7 mm x 91.7mm x 74.5 mm (with F-mount)
<b>Lens Mount</b>	F-mount, Active EF-mount, C-mount or T-mount (M42 x 0.75)
<b>Weight</b>	600g (with F-mount)
<b>Power Requirements</b>	CX: 9.5W, 7-26V DC via Hirose 12-pin or 24V via PoCXP CL: 7.5W, 12V DC via Hirose 12-pin
<b>Additional I/O (Hirose 12-pin)</b>	TTL-level trigger input/output, EF-mount lens control interface
<b>Operating Temperature</b>	-30°C to 45°C, 20-85% humidity (non-condensing)
<b>Storage Temperature</b>	-40°C to 85°C, 10-90% humidity (non-condensing)

## ORDERING

Example: 12M180MCX-F

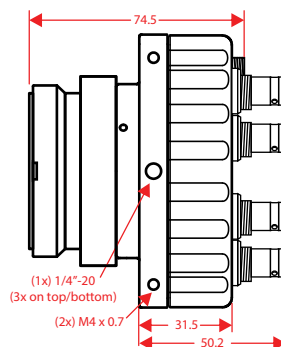
Camera	Lens Type
12M180 (CX)	F - F-mount
12M125 (CL)	C - C-mount
Sensor Type	Interface
M - Monochrome	CX - CoaXPress
C - Color (with IR filter)	CL - Camera Link
N - Near-IR Enhanced Monochrome	

## FRAME RATE CHART

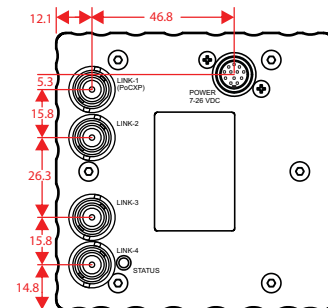
Frame Rates by Resolution and Bit Depth	12M180xCX (4x CXP-6)		12M125xCL (2x Full 80-bit)	
	8-bit	10-bit	8-bit	10-bit
<b>4096 x 3072</b>	187	149	124	100
<b>4096 x 2160 (4K)</b>	266	212	175	141
<b>3360 x 2496</b>	231	184	152	122
<b>2048 x 2048</b>	500	447	370	296
<b>1920 x 1080</b>	935	838	692	555
<b>1000 x 1000</b>	1008	903	924	829
<b>1280 x 720</b>	1384	1242	1268	1139
<b>640 x 480</b>	2032	1827	1863	1677

## MECHANICAL DIAGRAMS

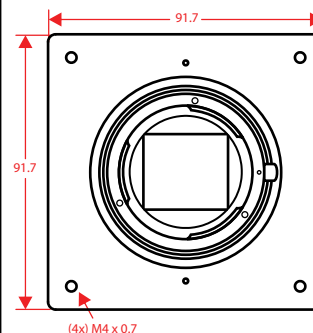
Side (CoaXPress F-Mount Model)



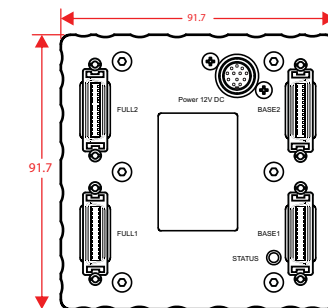
Rear (CoaXPress Model)



Front



Rear (Camera Link Model)



Visit us at: [www.ioindustries.com](http://www.ioindustries.com)  
15940 Robin's Hill Road  
London, Ontario, Canada, N5V 0A4  
Tel: +1 519 663 9570  
Email: [sales@ioindustries.com](mailto:sales@ioindustries.com)

## LET'S STAY CONNECTED!



@IOINDUSTRIES



@IOINDUSTRIES



@IO-INDUSTRIES

Copyright © 2016 IO Industries Inc. Flare is a trademark of IO Industries.  
All other trademarks are the property of their respective owners.

Datasheet Rev. 3.0 (06/10/2016)  
Specifications subject to change without notice