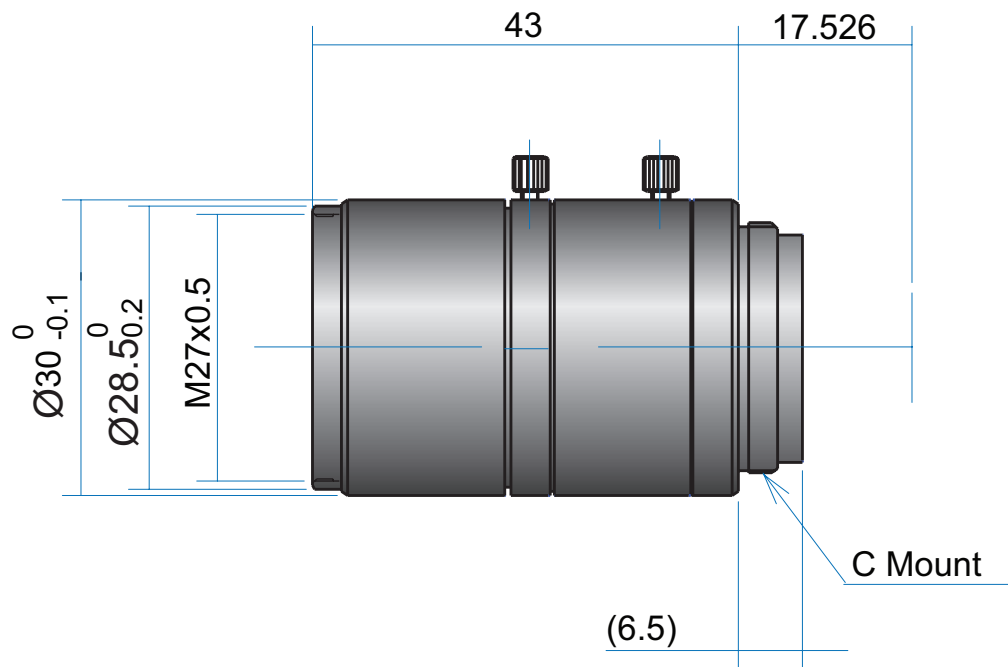


3 MP 2/3" Fixed-Focal

GMTHR31614MCN



| Part No. | GMTHR31614MCN |
|----------------------------|--------------------------|
| Focal Length | 16.2mm |
| Iris Range | f/1.45-16 (Click-Stop) |
| Lens Format | 2/3" |
| Resolution | 140 lp/mm |
| MOD | 100mm |
| Mount | C |
| Filter Thread | M27xP0.5 |
| Angle of View (HxVxD) 2/3" | 30.46° x 23.07° x 37.55° |
| Weight | 80g |
| Dimension (DxL) | Ø30 x 42.5 |