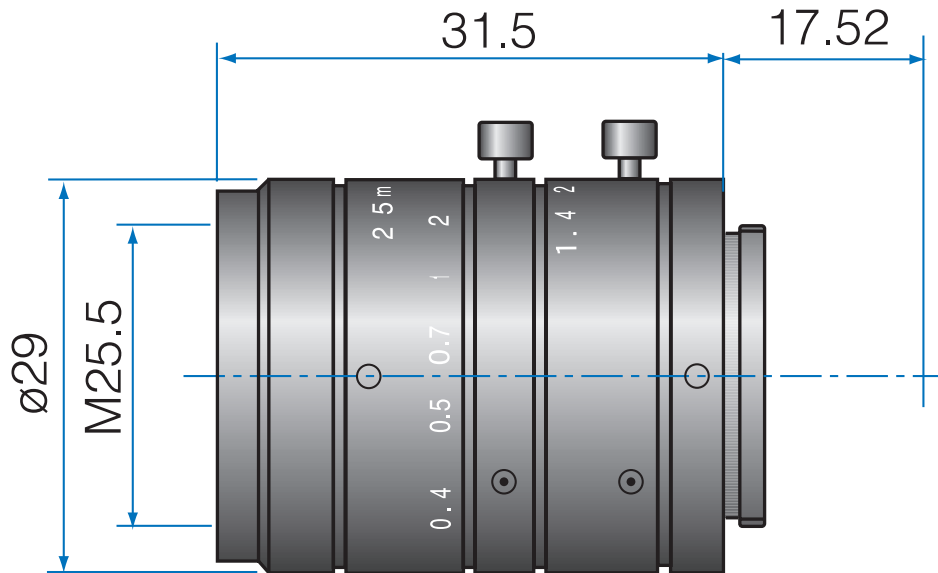


3 MP 2/3" Fixed-Focal

# GMTHR32514MCN



Part No.	GMTHR32514MCN
Focal Length	25mm
Iris Range	f/1.4-16 (Click-Stop)
Lens Format	2/3"
Resolution	140 lp/mm
MOD	250mm
Mount	C
Filter Thread	M25.5xP0.5
Angle of View (HxVxD) 1/2"	14.6° x 11.0° x 18.2°
Angle of View (HxVxD) 2/3"	21.1° x 15.1° x 25.0°
Weight	50g
Dimension (DxL)	$\varnothing 29$ x 32.0