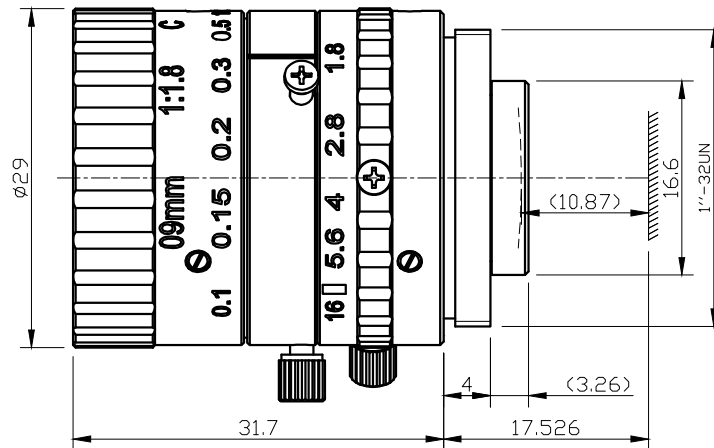


## 产品技术规格书 (Product Technical Specification)

| No. | 名称 (Name)                         | 规格 (Specification)  | No.       | 名称 (Name)                       | 规格 (Specification)              |          |       |       |
|-----|-----------------------------------|---------------------|-----------|---------------------------------|---------------------------------|----------|-------|-------|
| 1   | 型号 (Model)                        | AZURE-0918M3M       | 14        | 视场角<br>F.O.V.(DxVxH)            | 2/3                             | 1/2      | 1/3   |       |
| 2   | 物料代码 (Material Code)              | 3. A01. 010091803A1 |           |                                 | D                               | 61.85    | 47.09 | 36.19 |
| 3   | 靶面格式 (Image Format)               | 2/3"                |           |                                 | H                               | 51.22    | 38.44 | 29.3  |
| 4   | 分辨率 (Resolution)                  | 3MP                 |           |                                 | V                               | 39.54    | 29.3  | 22.19 |
| 5   | 焦距 (Focal Length)                 | 9mm                 | 15        | 接口 (Mount)                      | C                               |          |       |       |
| 6   | 后截距 (Back Focus)                  | 10.87mm             | 16        | 适用物距 (Suitable Distance)        | 0.1~∞m                          |          |       |       |
| 7   | F值 (F/ No.)                       | 1.8                 | 17        | 最佳物距 (Optimum Working Distance) | 3.5m                            |          |       |       |
| 8   | 光圈 (Iris Type)                    | Manual              | 18        | 镀膜 (Coating)                    | 400-950nm                       |          |       |       |
| 9   | 畸变 (Distortion)                   | <-0.5%              | 19        | 外形尺寸 (Dimension)                | φ 29×31.7mm                     |          |       |       |
| 10  | 通光口径<br>(Lens Effective Diameter) | 前面 (Front)          | φ 19.99mm | 20                              | 重量 (Weight)                     | 63g      |       |       |
|     |                                   | 后面 (Back)           | φ 11.02mm | 21                              | 工作温度<br>(Operating Temperature) | -20~+60℃ |       |       |
| 11  | 相对照度<br>(Relative Illuminate)     | 61.3%               | 22        | 镜头组成<br>(Lens Construction)     | 9-7                             |          |       |       |
| 12  | 光学总长 (TTL)                        | 47.8mm              | 23        | 最大主光线入射角<br>(CRA)               | 7.55°                           |          |       |       |
| 13  | 设计波长<br>(Design Wavelength)       | 400-700nm           | 24        | 滤镜尺寸<br>(Filter Thread)         | M27×0.5                         |          |       |       |

Size:



Unit:mm

| Draw | Check | Recheck | Approval | 福建浩蓝光电有限公司<br>AZURE Photonics Co.,Ltd |
|------|-------|---------|----------|---------------------------------------|
|      |       |         |          |                                       |
|      |       |         |          |                                       |