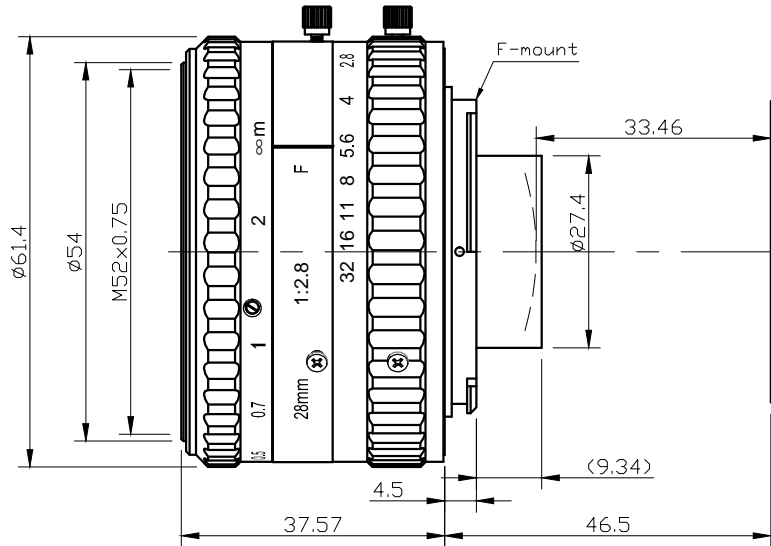


## 产品技术规格书 (Product Technical Specification)

No.	名称 (Name)	规格 (Specification)	No.	名称 (Name)	规格 (Specification)			
1	型号 (Model)	AZURE-2828MF-1	14	视场角 F.O.V (DxVxH)	"	43	1	2/3
2	物料代码 (Material Code)	3. A01. 0102828MF-1			D	73.6	31.89	22.23
3	靶面格式 (Image Format)	43mm			H	63.4	25.56	17.86
4	分辨率 (Resolution)	10MP			V	44.4	19.46	13.44
5	焦距 (Focal Length)	28mm	15	接口 (Mount)	F			
6	后截距 (Back Focus)	33.46mm	16	适用物距 (Suitable Distance)	0.3-∞m			
7	F值 (F/No.)	2.8	17	最佳物距 (Optimum Working Distance)	1m			
8	光圈 (Iris Type)	Manual	18	镀膜 (Coating)	400nm-950nm			
9	畸变 (Distortion)	<-3.0%	19	外形尺寸 (Dimension)	φ61.4×37.57mm			
10	通光口径 (Lens Effective Diameter)	前面 (Front)	φ36.12mm	20	重量 (Weight)	290g		
		后面 (Back)	φ21.40mm	21	工作温度 (Operating Temperature)	-20°C~+65°C		
11	相对照度 (Relative Illuminate)	40%	22	镜头组成 (Lens Construction)	7-6			
12	光学总长 (TTL)	80mm	23	最大主光线入射角 (CRA)	21.17°			
13	设计波长 (Design Wavelength)	400~950nm	24	滤镜尺寸 (Filter Thread)	M52×0.75			

Size:



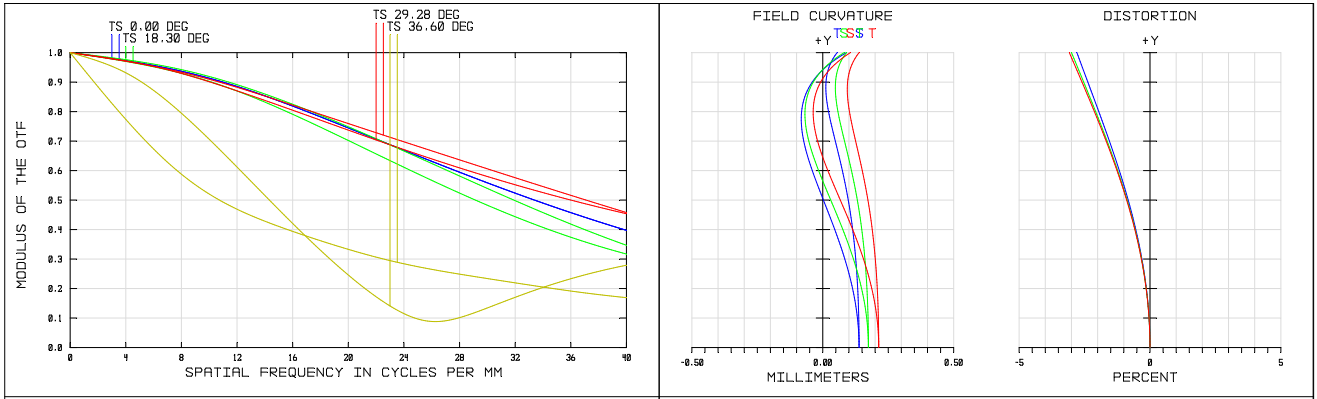
Unit:mm

Draw	Check	Recheck	Approval	福建浩蓝光电有限公司 AZURE Photonics Co.,Ltd

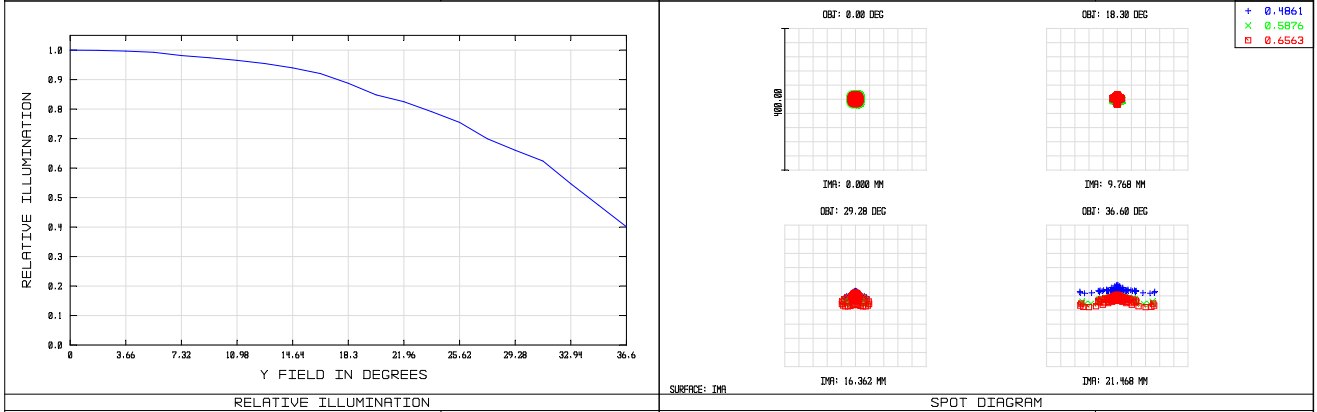
# 设计结果报告 (Optical Design Report)

1	2	3	4
传递函数图 (MTF)	场曲畸变图 (Field Curvature&Distortion)	相对照度图 (Relative Illumination)	星点图 (Spot Diagram)

WD=1m



POLYCHROMATIC DIFFRACTION MTF	FIELD CURVATURE / F-TAN(THETA) DISTORTION
THU AUG 24 2017 DATA FOR 0.4861 TO 0.6563 μm. SURFACE: IMAGE 2828FM-3, ZMX CONFIGURATION 1 OF 1	THU AUG 24 2017 MAXIMUM FIELD IS 36.600 DEGREES WAVELENGTHS: 0.486 0.588 0.656 2828FM-3, ZMX CONFIGURATION 1 OF 1



RELATIVE ILLUMINATION	SPOT DIAGRAM	
THU AUG 24 2017 WAVELENGTH: 0.587562 μm 2828FM-3, ZMX CONFIGURATION 1 OF 1	THU AUG 24 2017 UNITS ARE μm. FIELD : 1 2 3 4 RMS RADIUS : 10.334 8.729 13.253 34.482 GEO RADIUS : 16.068 15.255 44.580 108.077 SCALE BAR : 400 REFERENCE : CHIEF RAY	2828FM-3, ZMX CONFIGURATION 1 OF 1