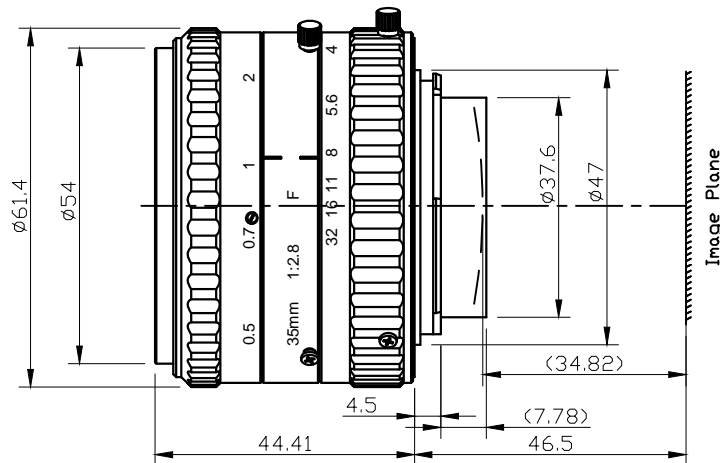


产品技术规格书 (Product Technical Specification)

No.	名称 (Name)	规格 (Specification)	No.	名称 (Name)	规格 (Specification)	
1	型号 (Model)	AZURE-3528MF-1	14	视场角 F.O.V.(DxVxH)	" 43mm 4/3 1	
2	物料代码 (Material Code)	3. A01. 0103528F1			D 61.60 35.00 25.00	
3	靶面格式 (Image Format)	43mm			H 52.60 27.40 19.60	
4	分辨率 (Resolution)	5MP			V 36.20 21.20 14.80	
5	焦距 (Focal Length)	35mm	15	接口 (Mount)	F口	
6	后截距 (Back Focus)	34.82mm	16	适用物距 (Suitable Distance)	0.3-∞m	
7	F值 (F/ No.)	2.8	17	最佳物距 (Optimum Working Distance)	0.9m	
8	光圈 (Iris Type)	Manual	18	镀膜 (Coating)	400-950nm	
9	畸变 (Distortion)	<-2.8%	19	外形尺寸 (Dimension)	φ 61.4 × 44.41mm	
10	通光口径 (Lens Effective Diameter)	前面 (Front)	φ 40.49mm	20	重量 (Weight)	308.3g
		后面 (Back)	φ 33.94mm	21	工作温度 (Operating Temperature)	-20° C ~ +65° C
11	相对照度 (Relative Illuminate)	41.0%	22	镜头组成 (Lens Construction)	9-7	
12	光学总长 (TTL)	90.97mm	23	最大主光线入射角 (CRA)	11.44°	
13	设计波长 (Design Wavelength)	400~950nm	24	滤镜尺寸 (Filter Thread)	M52 × 0.75	

Size:



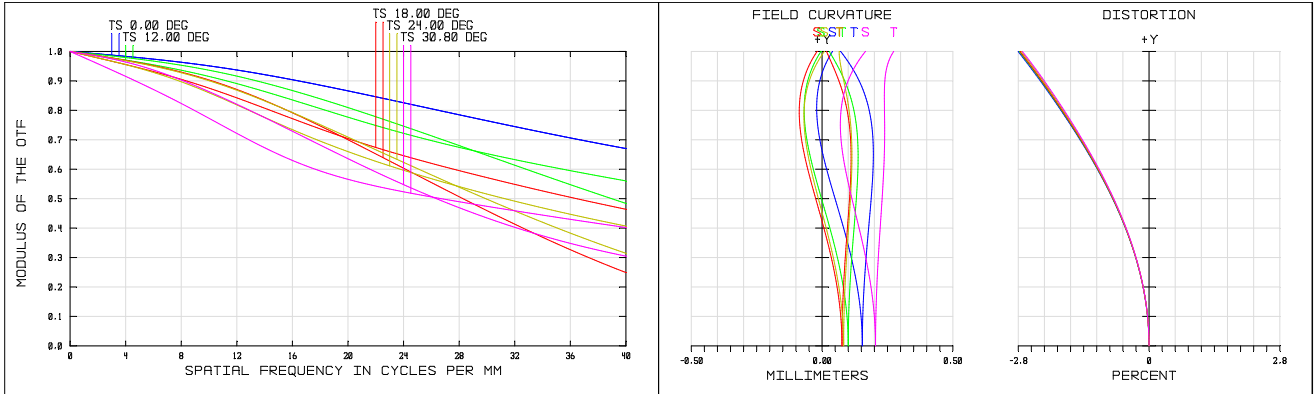
Unit:mm

Draw	Check	Recheck	Approval	福建浩蓝光电有限公司 AZURE Photonics Co.,Ltd

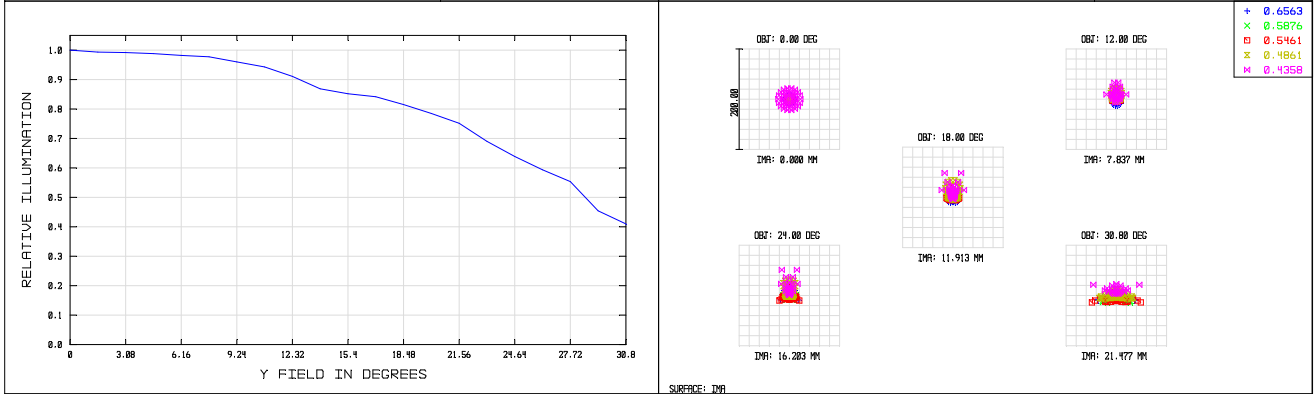
设计结果报告 (Optical Design Report)

1	2	3	4
传递函数图 (MTF)	场曲畸变图 (Field Curvature&Distortion)	相对照度图 (Relative Illumination)	星点图 (Spot Diagram)

WD=900mm



<p style="text-align: center;">POLYCHROMATIC DIFFRACTION MTF</p> <p>Z3 THU AUG 17 2017 DATA FOR 0.4358 TO 0.6563 μm. SURFACE: IMAGE</p> <p style="text-align: right;">3528MF-1, ZMX CONFIGURATION 1 OF 1</p>	<p style="text-align: center;">FIELD CURVATURE / F-TAN(THETA) DISTORTION</p> <p>Z3 THU AUG 17 2017 MAXIMUM FIELD IS 30.800 DEGREES WAVELENGTHS: 0.656 0.588 0.546 0.486 0.436</p> <p style="text-align: right;">3528MF-1, ZMX CONFIGURATION 1 OF 1</p>
--	--



<p style="text-align: center;">RELATIVE ILLUMINATION</p> <p>Z3 THU AUG 17 2017 WAVELENGTH: 0.546074 μm</p> <p style="text-align: right;">3528MF-1, ZMX CONFIGURATION 1 OF 1</p>	<p style="text-align: center;">SPOT DIAGRAM</p> <p>Z3 THU AUG 17 2017 UNITS ARE μm.</p> <table style="width: 100%; border-collapse: collapse;"> <tr> <td>FIELD :</td> <td>1</td> <td>2</td> <td>3</td> <td>4</td> <td>5</td> </tr> <tr> <td>RMS RADIUS :</td> <td>6.585</td> <td>7.783</td> <td>10.626</td> <td>11.234</td> <td>14.068</td> </tr> <tr> <td>GEO RADIUS :</td> <td>21.922</td> <td>33.311</td> <td>51.155</td> <td>53.152</td> <td>58.594</td> </tr> <tr> <td>SCALE BAR :</td> <td colspan="2">200</td> <td colspan="3">REFERENCE : CHIEF RAY</td> </tr> </table> <p style="text-align: right;">3528MF-1, ZMX CONFIGURATION 1 OF 1</p>	FIELD :	1	2	3	4	5	RMS RADIUS :	6.585	7.783	10.626	11.234	14.068	GEO RADIUS :	21.922	33.311	51.155	53.152	58.594	SCALE BAR :	200		REFERENCE : CHIEF RAY		
FIELD :	1	2	3	4	5																				
RMS RADIUS :	6.585	7.783	10.626	11.234	14.068																				
GEO RADIUS :	21.922	33.311	51.155	53.152	58.594																				
SCALE BAR :	200		REFERENCE : CHIEF RAY																						