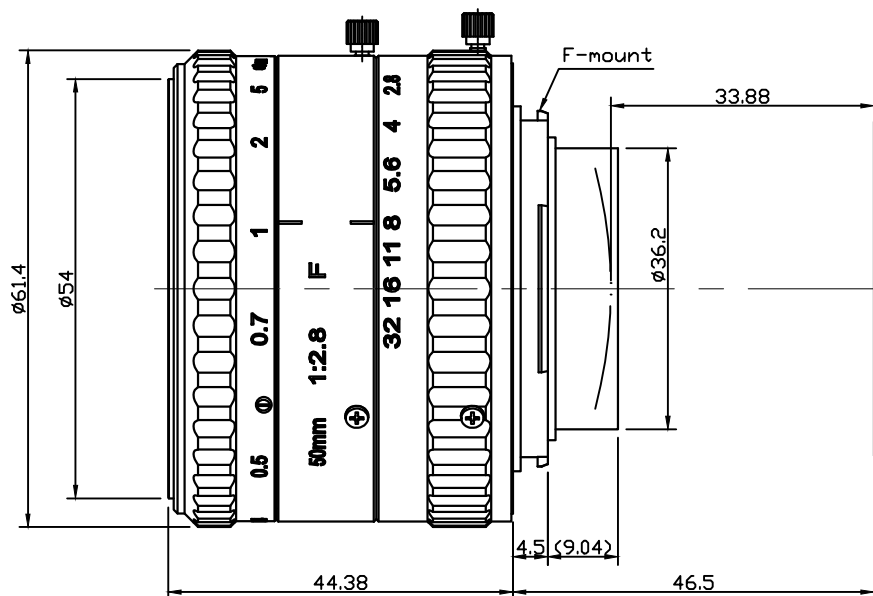


技术规格客户承认书 (Specifications for Approval)

No.	名称 (Name)	规格 (Specification)	No.	名称 (Name)	规格 (Specification)	
1	型号 (Model)	3. A01. 0105028F1-1	12	视场角 F.O.V.(DxVxH)	°" 43mm 1 2/3	
2	靶面格式 (Image Format)	43mm			D 46.54 18.18 12.55	
3	分辨率 (Resolution)	10MP			H 39.60 14.59 10.06	
4	焦距 (Focal Length)	50mm			V 26.99 10.97 7.55	
5	后截距 (Back Focus)	36.48mm	13	接口 (Mount)	F	
6	F值 (F/ No.)	2.8	14	最近物距 (M.O.D)	0.4m	
7	光圈 (Iris Type)	Manual Iris	15	镀膜 (Coating)	400nm-950nm	
8	畸变 (Distortion)	<2.4%	16	外形尺寸 (Dimension)	φ61.4 × 44.38mm	
9	光学总长 (TTL)	79.68mm	17	重量 (Weight)	343g	
10	通光口径 (Lens Effective Diameter)	前面 (Front)	φ29.10	18	工作温度 (Operating Temperature)	-20°C ~ +65°C
		后面 (Back)	φ30.26	19	镜头组成 (Lens Construction)	8-6
11	相对照度 (Relative Illuminate)	38.5%	20	最大主光线入射角 (CRA)	14.65°	

Size:



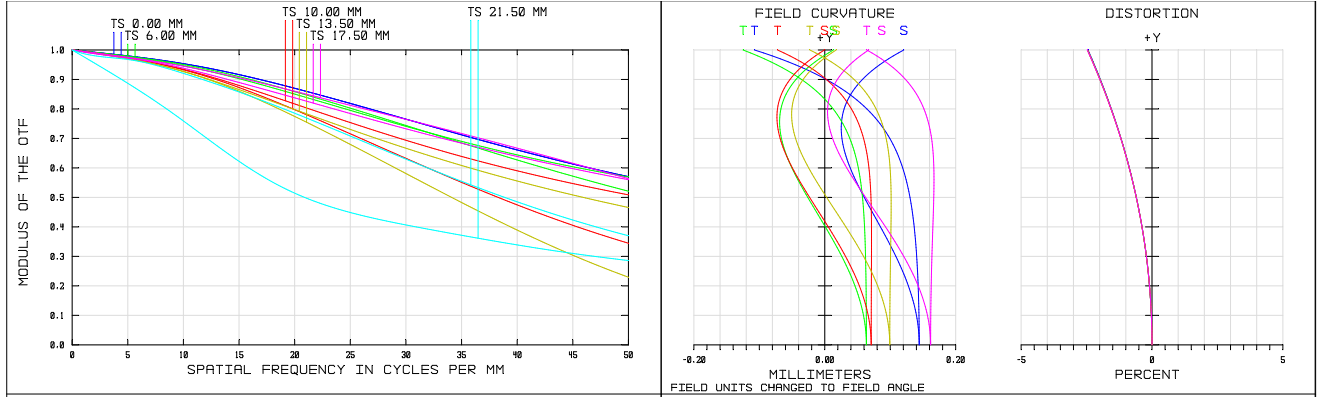
Unit:mm

Draw	Check		福建浩蓝光电有限公司 AZURE Photonics Co.,Ltd

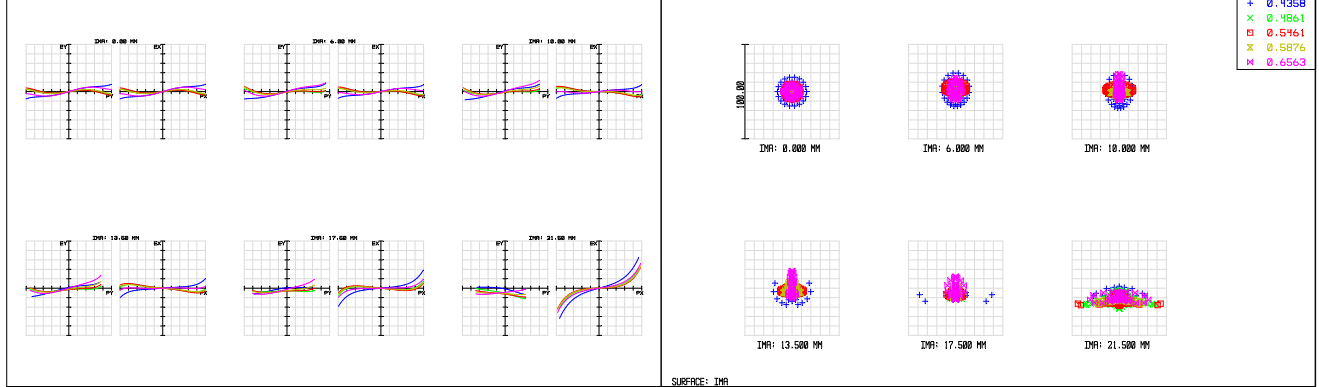
设计结果报告 (Optical Design Report)

1	2	3	4
传递函数图 (MTF)	场曲畸变图 (Field Curvature&Distortion)	相对照度图 (Relative Illumination)	星点图 (Spot Diagram)

WD=1000mm



<p>TUE MAR 21 2017 DATA FOR 0.4358 TO 0.6563 μm. SURFACE: IMAGE</p>	<p>5028MF.ZMX CONFIGURATION 1 OF 1</p>	<p>TUE MAR 21 2017 MAXIMUM FIELD IS 22.614 DEGREES WAVELENGTHS: 0.436 0.486 0.546 0.588 0.656</p>
		<p>5028MF.ZMX CONFIGURATION 1 OF 1</p>



<p>TUE MAR 21 2017 MAXIMUM SCALE: $\pm 100.000 \mu$m. 0.436 0.486 0.546 0.588 0.656</p>	<p>5028MF.ZMX CONFIGURATION 1 OF 1</p>	<p>TUE MAR 21 2017 UNITS ARE μm. FIELD : 1 2 3 4 5 6 RMS RADIUS : 5.977 6.531 7.493 7.969 9.079 17.852 GEO RADIUS : 15.451 19.867 18.611 28.017 38.598 46.869 SCALE BAR : 100 REFERENCE : CHIEF RAY</p>
		<p>5028MF.ZMX CONFIGURATION 1 OF 1</p>