

MACHINE VISION CAMERA

CamPerform

CP70-2-M/C-1000



- METROLOGY
- 3D SCANNING
- INLINE INSPECTION

- 1 087 fps with 1 920 x 1 080 pixels with 8 bit A/D conversion
- High light sensitivity due to large 10 μ m pixels
- DIN 1.0/2.3 connectors with thread lock
- CoaXPress interface with 25 Gbit/s
- Power and trigger via CoaXPress
- EMVA1288 characterization

CamPerform CP70-2-M/C-1000

Optronis

Make time visible

FEATURES

The CP70-2-M/C-1000 camera provides full HD resolution at more than 1000 fps. Large pixels with 10 µm x 10 µm pitch result in high light sensitivity. Low noise design ensures accurate data to simplify measurement tasks.

- full HD resolution
- high light sensitivity
- frame rate increases with vertical and horizontal window size reduction

Firmware features

- Analogue gain adjustment
- Analogue offset adjustment
- LUT (factory set)
- Framenumber and Microsecond counter on image

SPECIFICATIONS

Sensor type	LUX19HS, Global Shutter
Resolution	1 920 pixel x 1 080 pixel
Frame rate (full resolution)	20 .. 1 087 fps
Exposure time	2 µs .. 1 / frame rate
Active area / Diagonal	19.20 mm x 10.80 mm / 22.029 mm
Pixel size	10 µm x 10 µm
A/D conversion	8 Bit
Sensitivity (sensor)	20 V/lux·s @ 550 nm
Synchronization	internal, external, CoaXPress
Synchronization signals	Synch IN and Synch OUT, TTL level, electrically isolated
Interface	CoaXPress 1.1 (4 ch., CXP-6) DIN 1.0/2.3 connectors
Power	<10 W, PoCXP, ext.
Operating ambient temperature	0 .. +40°C / 32 .. 104°F
Weight	400 g without mount
Dimensions	85 mm x 85 mm x 49 mm (3D model data available)

EMVA1288 camera measurements (typ. preliminary)

Dynamic range	52 dB
Saturation capacity	14 700 e ⁻
Temporal dark noise	32 e ⁻
System gain	68 e ⁻ /DN
Signal-to-Noise Ratio	42 dB
DSNU	109 e ⁻
PRNU	2 %
Non-linearity error LE _{min} , LE _{max}	2 %

PERFORMANCE (EXAMPLES)

Resolution (HxV)	Frame rate	Resolution (HxV)	Frame rate
1 920 x 1 080	1 087 fps	1 920 x 512	4 064 fps
1 280 x 720	2 332 fps	1 920 x 256	4 559 fps
640 x 480	5 186 fps	320 x 240	9 049 fps
256 x 256	9 689 fps	128 x 128	17 825 fps
100 x 100	24 509 fps	224 x 4	34 602 fps

MODELS

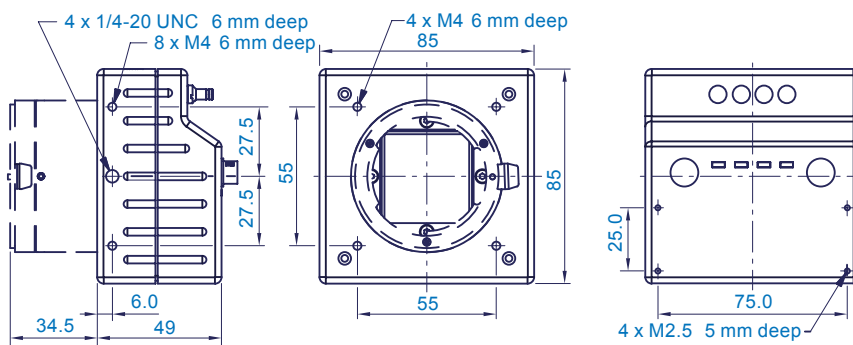
Article number	Description
CP70-2-M-1000	monochrome Camera
CP70-2-C-1000	color Camera
Scope of delivery	Camera, brief introduction

ACCESSORIES

Lens mounts: C-mount, F-mount, G-mount, M42-mount

Power supply, pig tail cable, programming cable

TECHNICAL DRAWING



CONTACT INFORMATION

Optronis GmbH
Ludwigstraße 2
77694 Kehl
Germany

Phone: +49 7851 91 26 - 0
Fax: +49 7851 91 26 - 10
info@optronis.com
www.optronis.com

The information given herein is believed to be reliable, however Optronis makes no warranties as to its accuracy or completeness. Data sheet is subject to modifications at any time. Version B