

Fine Positioning

Benefits:

- Compact design only 16x40mm cross section
- Play-free guidance up to 3Nm rolling moment
- Self-locking
- Low clamping dimension (from 24mm)
- Interchangeable positioning tables
- Scale display in millimeters
- Suitable for industrial and laboratory use
- Can be combined to any multi-axis arrangement
- 150mm stroke
- Feed 1.5mm per revolution
- After fixation, the slide is non-shifting up to 2000N
- Compatible with autoVimation clamps and profiles
- Adaptable to all profile sizes
- Magnetic tape and digital display optional



With transition clamps, the axes can also be used for Colibri and laser housings



Technical Details:


Dimensions	
Vertical mount	265 x 56 x 47mm
Parallel Mount (L x B x H, incl. crank)	265 x 56 x 55mm
Weight	
Vertical mount	425g
Parallel Mount	402g
Base material	Aluminum, anodized
Stroke	150mm
Feed	1.5mm/revolution
Options	- Transition clamps - Digital display



The axes can be combined in any arrangement, play-free guidance up to 3Nm rolling torque is possible

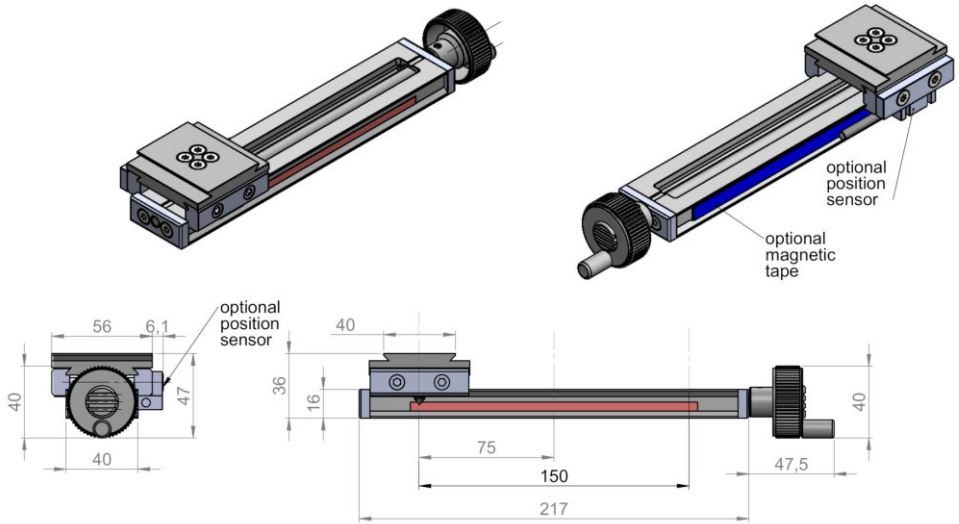
Order Numbers:

Fine Positioning Axis (Please order brackets separately)			
Vertical Mount	Order Number	Parallel Mount	Order Number
	110.040.090		110.040.000
40mm Dovetail Parallel Slim Bracket	10.040.201	30mm Dovetail (Colibri) Adapter Bracket 30/40mm	10.062.979
Orthogonal Bracket	10.044.984	20mm Dovetail (Laser) Adapter Bracket 20/40mm	10.049.051

Fine Adjustment Table		
<p>The little brother of the positioning axes:</p> <ul style="list-style-type: none"> - +/- 3mm fine positioning in two axes - Separate locking - 40mm dovetail profile 		6.045.836



Vertical Mount



Parallel Mount

