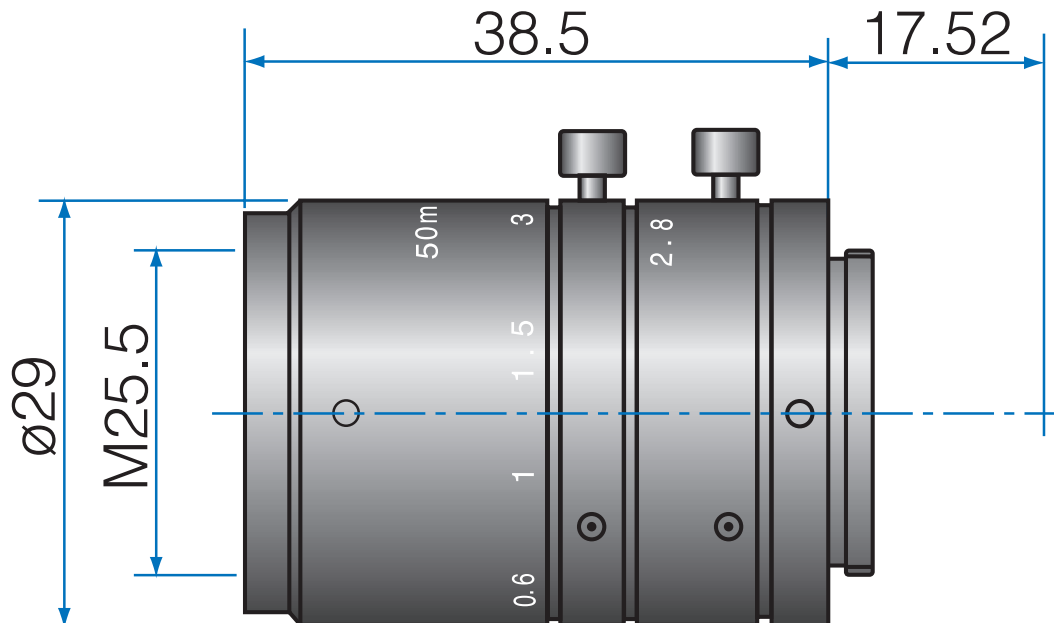


3 MP 2/3" Fixed-Focal

GMTHR35028MCN



Part No.	GMTHR35028MCN
Focal Length	50mm
Iris Range	f/2.8-22
Lens Format	2/3"
Resolution	140 lp/mm
MOD	500mm
Mount	C
Filter Thread	M25.5 x P0.5
Angle of View (HxVxD) 1/2"	7.3° x 5.5° x 9.0°
Angle of View (HxVxD) 2/3"	10.0° x 7.5° x 12.4°
Weight	95g
Dimension (DxL)	Ø29 x 39