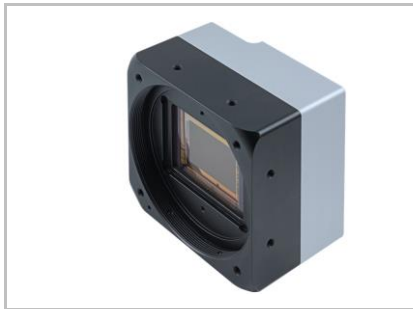


# LXC-250M

## Technical Data

 Art. No.  
11162825


### Digital Monochrome Matrix Camera, Camera Link Full

#### Sensor Information

Model Name	ON Semiconductor Python 25k
Type	APS-H progressive scan CMOS
Shutter	Global
Native Resolution	5120 x 5120 pixels
Scan Area	23.04 mm x 23.04 mm
Pixel Size	4.5 $\mu\text{m}$ x 4.5 $\mu\text{m}$

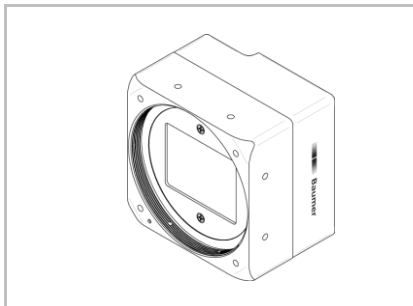
#### Data Quality

@ 20 °C, gain = 1, exposure time = 4

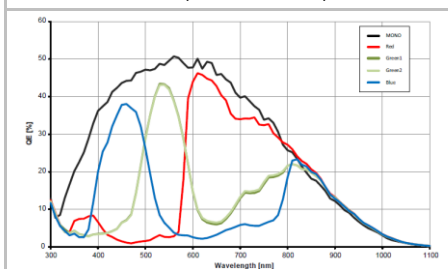
Readout Noise ( $\sigma$ )	0,3 LSB @ 8 bit (typical)
Dynamic Range	56 dB (typical)

#### Acquisition Formats

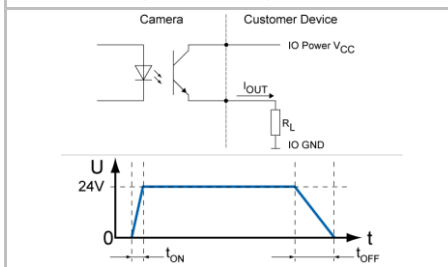
Image Formats	Format	Resolution	Frame Rate	$t_{\text{readout}}$
	Full Frame	5120 x 5120	32 fps	29,5 msec
Pixel Formats	Mono8, Mono10			
Partial Scan	True Partial Scan, Region of Interest (ROI) arbitrary, up to 8 regions			



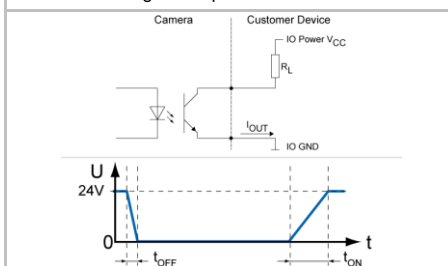
Sensor Graph: Relative Response



Digital Output: High Active



Digital Output: Low Active



#### Image Pre-Processing

Analog Controls	Exposure Time (27 $\mu\text{sec}$ ... 1 sec   Step Size 1 $\mu\text{sec}$ ) Gain (0 ... 12 dB), Offset (0 ... 63 LSB   10 bit)
Gamma Correction	Gamma (0.1 ... 2   available if LUT is enabled)
LUT	Luminance (12 bit)
Color Models	Mono
Color Tolerance	Only on Color Cameras
Color Processing	Only on Color Cameras
Color Adjustment	Only on Color Cameras
Binning	1 or 2 (Horizontal and Vertical)
Decimation	1 or 2 (Horizontal and Vertical)
Image Flipping	Horizontal, vertical
Defect Pixel Correction	via Defect Pixel List with up to 1000 Pixel Coordinates

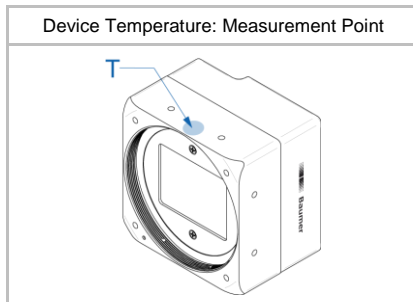
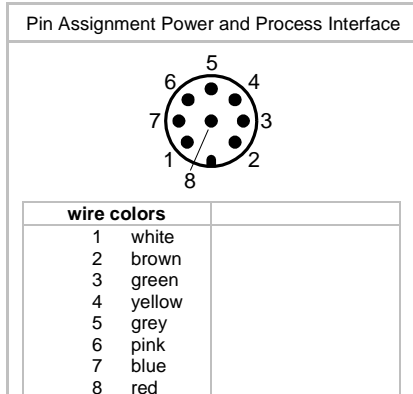
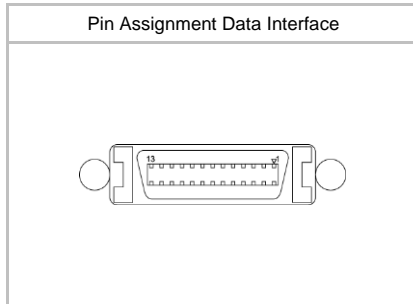
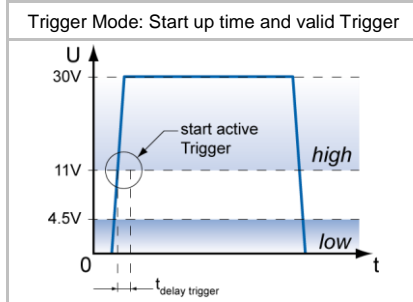
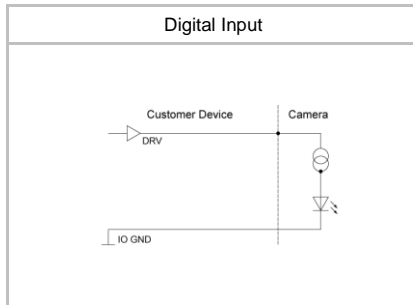
#### Process Synchronization

Modes	Free Running, Trigger
Free Running	Continuous or Adjustable Acquisition Frame Rate (0.01 ... 7299 Hz)
Trigger Sources	Hardware, Software, FrameGrabber, All or Off
Trigger Delay	0 ... 2 sec, Tracking and buffering of up to 512 triggers
Sequencer Characteristics	up to 128 sets of parameters, up to 65536 loop passes, up to 65536 repetitions of sets of parameters, up to 65536 images per trigger event
Sequencer Parameters	Exposure Time, Gain Factor, Output Line, ROI Offset x, ROI offset y
External Flash Sync	via Exposure Active $t_{\text{delay flash}} \leq 3 \mu\text{sec}$ , $t_{\text{duration}} = t_{\text{exposure}} + 18 \mu\text{sec}$

#### Digital I/Os

Lines	Input: Line 0, Line 1 (Frame grabber CC1) Output: Line 2
Circuit Times	Output: $t_{\text{ON}} = \text{typ. } 2 \mu\text{sec}$ $t_{\text{OFF}} = \text{typ. } 30 \mu\text{sec}$
Output Sources	Off, ExposureActive, ReadoutActive, FrameActive, TriggerReady, TriggerOverlapped, TriggerSkipped, Line 0, UserOutput{1}, Timer{1}Active, SequencerOutput{0}
Line Debouncer	Low and high signal separately selectable

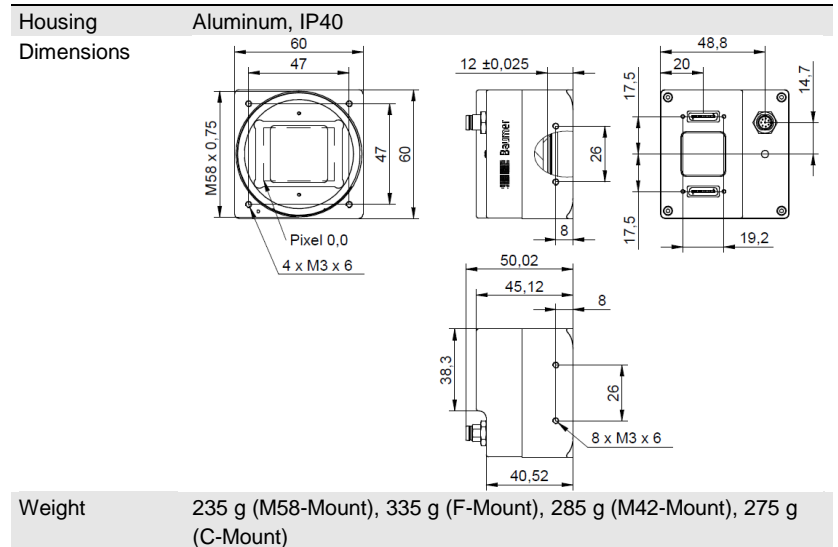
Debouncing Time 0 ... 5 msec, Step Size: 1 µsec



### Interfaces and Connectors

<b>Data Interface (1/2)</b>	Camera Link: Transfer Rate up to 10 tap / 85 MHz	Connector: Camera Link SDR26 Mini screw lock type
<b>Power and Process Interface</b>	Pin Assignment: See user manual	
	Connector: SACC-DSI-M8FS-8CON-M10-L180	
	SH Assignment:	1 – NC                      5 – IO Power VCC 2 – Power VCC        6 – OUT1 (line1) 3 – IN1 (line0)        7 – GND 4 – IO GND            8 – NC

### Mechanical Data



### Optical Data

Lens Mount	M58-Mount, via optional adapters F-/M42-/C-Mount
Optical Filter	None

### Electrical Data

<b>Power Supply (ext.)</b>	VCC: 12 ... 24 V DC ± 20%
	I: 325 ... 650 mA
<b>Power over Camera Link (PoCL)</b>	VCC: 12 V DC ± 20%
	I: 650 mA
<b>Power Consumption (1X10-1Y, 85 MHz)</b>	approx. 7.8 W @ 24 VDC and 32 fps
	approx. 7.8 W @ 12 VDC (PoCL) and 32 fps
<b>Digital Input</b>	$U_{IN(low)}$ : 0.0 ... 4.5 VDC $U_{IN(high)}$ : 11.0 ... 30.0 VDC $I_{IN}$ : 6.0 ... 10 mA min. Impulse Length: 2.0 µsec Trigger Delay out of treadout: 4.0 µsec max. Trigger Delay during treadout: 30.0 µsec
<b>Digital Output</b>	$U_{EXT}$ : 5 ... 30 V DC $I_{OUT}$ : max. 50 mA



### LED Signalling

Camera LED	Green on	Power on
	Red on	Error
	Red blinking	Warning
	Yellow	Readout active

### Environmental Data

Storage Temperature	-10 °C bis +70 °C
Operating Temperature	+5°C ... +26°C
Device Temperature	T <sub>max</sub> = 66 °C @ Measurement Point
Humidity	10 % ... 90 % non-condensing
Conformity	RoHS, REACH, CE



### Camera Link Data Interface

Standard	v. 2.1		
Pixel Formats	Base	1X1-1Y	Mono8, Mono10
	Base	1X2-1Y	Mono8, Mono10
	Base	1X3-1Y	Mono8
	Medium	1X3-1Y	Mono10
	Medium	1X4-1Y	Mono8, Mono10
	Full	1X8-1Y	Mono8
	80-bit	1X8-1Y	Mono10
	80-bit	1X10-1Y	Mono8
Pixel Clock	40 - 85 MHz		

### GenCP Features

(in compliance with GenCP 1.0)

Events Transmission via Asynchronous Message Channel	EventLost, EventDiscarded, Line{0,1,2,3}RisingEdge, Line{0,1,2,3}FallingEdge, ExposureStart, ExposureEnd, FrameStart, FrameEnd, TriggerReady, TriggerOverlapped, TriggerSkipped, Timer{1,2,3}End, DeviceTemperatureStatusChanged
---	--

### GeniCam™ Features

(in compliance with SFNC 2.1.0)

Timer	Timer Selector: Timer 1 ... 3 TimerTriggerSource: Off, Line0, Software, Action1, TriggerSkipped ExposureStart, ExposureEnd, FrameStart, FrameEnd, TimerDelay: 0 µsec ... 2 sec, Step Size: 1 µsec TimerDuration: 10 µsec ... 2 sec, Step Size: 1 µsec	
User Sets	Factory Settings: Default (read only) Freely Programmable: UserSet1, UserSet2, UserSet3 Parameters: any user definable Parameter	
Acquisition Abort	Delay up to 15,0 msec	

### Vendor Specific Features

DSNU / PRNU (FPN) Correction	Based on offset / gain per column
High Dynamic Range (HDR)	-
Burst Mode	12 full frame images with up to 32 fps
Chunk Info	FrameID, RegionID, Timestamp, CRC32
Temperature measurement	Internal sensor temperature range: 0 °C .. +85 °C, accuracy: ±1,0 °C

**Factory Settings after Start-Up**

Operation Mode	Free Running, overlapped mode
Analog Controls	Exposure Time: 4 msec, Gain: 0 dB, Offset: 0
Pixel Format	Mono8
Partial Scan	Off
Acquisition Frame Rate	Off
Timer	Off
Defect Pixel Correction	On
FPN Correction	On
Camera Link interface	2 tap Camera Link Base, 80 MHz
Digital Input	Line0, invert = false, trigger source = All
Digital Output	Line1/2/3, invert = false, line source = Off