

<sup>1)</sup> Sensor readout, different from pixel format

<sup>2)</sup> depends on the used interface



## Sensor Information

Model Name	ON Semiconductor Python 2000
Type	2/3" progressive scan CMOS
Shutter	Global Shutter
Resolution	1920 x 1200 pixels
Scan Area	9.21 mm x 5.76 mm
Pixel Size	4.8 μm x 4.8 μm

## Data Quality

@ 20 °C, gain = 1, exposure time = 4 msec

Dark Noise ( $\sigma$ )	11 e- typical
Saturation	8400 e- typical
Dynamic Range	57 dB typical
SNR	39 dB typical
Quantum efficiency $\eta$	40 % @ 465 nm, 43 % @ 536 nm, 46 % @ 631 nm typical

## Acquisition

Resolution	1920 px x 1200 px		
Interface Frame Rate (depends on used interface performance)	Format	Resolution	max. Frame Rate (@ Trigger Mode) <sup>2)</sup>
	Full Frame	1920 x 1200	53 fps
	Binning 2x2	960 x 600	59 fps
	Binning 2x1	960 x 1200	59 fps
	Binning 1x2	1920 x 600	59 fps

Acquisition Frame Rate <sup>1)</sup> (Burst Mode) 59 fps |  $t_{readout} = 16.8$  msec (max. Res. Full Frame) @ 10 bit

Pixel Formats BayerRG8, BayerRG10  
Mono8, Mono10, RGB8, BGR8

Partial Scan True Partial Scan with increasing Frame Rate on X and Y direction, Region of Interest (ROI) arbitrary  
Width: minimum 48, increment 16  
Height: minimum 2, increment 2

Adjustable Acquisition Frame Rate Off or Off or 0.01 ... 65535 Hz

Acquisition Mode Continuous, Single Frame and Multi Frame

Acquisition Status AcquisitionActive, AcquisitionTrigger Wait

Exposure Mode Timed

Readout Mode Overlapped, Sequential

## Image Pre-Processing

Analog Controls Exposure Time (20 μsec ... 1 sec | Step Size 1 μsec)  
Gain (0...12 dB), Offset (0 ... 63 LSB | 10 bit)

Auto Function ExposureAuto and GainAuto  
with BrightnessAutoPriority based on BrightnessAuto ROI  
BalanceWhiteAuto and ColorTransformationAuto  
based on BalanceWhiteAuto ROI

LUT Luminance (12 bit)

Color Models Mono, Raw Bayer, RGB and BGR

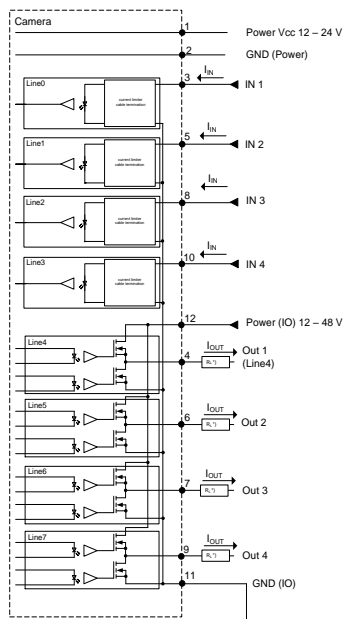
Color Processing Integrated color processor for high quality color calculation

Color Adjustment Manual White Balance  
Automatic White Balance (Once or Continuous) based on Region of Interest (ROI)

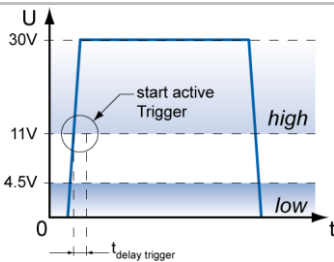
Color Enhancement Color Transformation to sRGB color space by optimized Matrix for 3000 K, 5000 K, 6500 K and 9500 K  
Lightsource or User defined Matrix

Color Tolerance -

### Digital Input / Output: principle circuit diagram



### Trigger Mode: Start up time and valid Trigger



## Image Pre-Processing

Binning Horizontal	1 or 2
Binning Vertical	1 or 2
Image Flipping	Horizontal, vertical
Defect Pixel Correction	via Defect Pixel List with up to 512 Pixel Coordinates
Fix Pattern Noise Correction	yes

## Process Synchronization

Trigger Mode	Off (Free Running), On (Trigger)
Trigger Overlap Type	Readout
Trigger Sources	Hardware (Line0, 1, 2, 3), Software, Action CMD (Action 1), All or Off fixed Trigger Delay out of t <sub>readout</sub> : <sup>1)</sup> 6 µsec @ 10 bit max. Trigger Delay during t <sub>readout</sub> : <sup>1)</sup> 20 µsec @ 10 bit
Trigger Delay	0 ... 2 sec, Tracking and buffering of up to 256 triggers
External Flash Sync	via Exposure Active t <sub>delay flash</sub> ≤ 3 µsec, t <sub>duration</sub> = t <sub>exposure</sub>
Encoder Function	yes, via Counter and Trigger Source
PTP Function	-

## Digital I/Os

Lines	Input: Line 0 .. 3, Output: Line 4 .. 7, GPIO: no
Output Sources	Off, ExposureActive, Timer1, ReadoutActive, UserOutput 1-3 and TriggerReady
Output Line Mode	yes, Tri-State, PushPull, OpenDrain, OpenSource
Output PWM function	yes, Line 4 .. 7 PWM Mode: Off, One Pulse, FixedFrequency PWM feature: PWMDuration, PWMDutyCycle Configuration Mode for lightning protection: MaxPWMDuration, MaxPWMDutyCycle
Line Debouncer	Low and high signal separately selectable Debouncing Time 0 ... 5 msec, Step Size: 1 µsec

## Memory

Image Buffer	53 MB 8 Images (Trigger Mode) / 1 Image (Free Running Mode)
Non-volatile Memory	128 kb

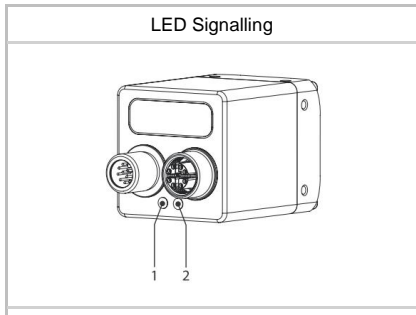
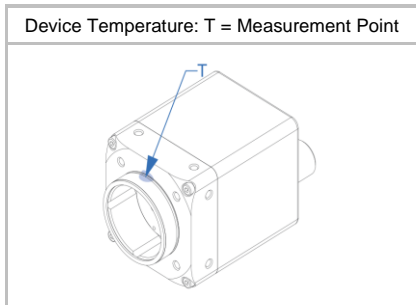
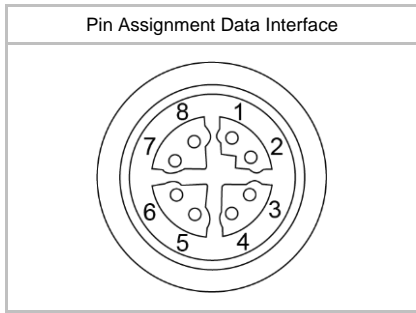
## Network Interface Data

Interface	Gigabit Ethernet 1000BASE-T 1000 Mbits/sec Fast Ethernet 100 BASE-T 100 Mbits/sec
Ethernet IP Configuration	Persistent IP, DHCP, LLA
Packet Size	576 ... 9000 Byte, Jumbo Frames supported

## GigE Vision® Features

Events Transmission via Asynchronous Message Channel	DeviceTemperatureStatusChanged, EventLost, ExposureEnd, ExposureStart, FrameEnd, FrameStart, FrameTransferSkipped, GigE VisionError, GigE VisionHeartbeatTimeOut, PrimaryApplicationSwitch, Line0..7 FallingEdge, Line0..7 RisingEdge, TransferBufferFull, TransferBufferReady, TriggerOverlapped, TriggerReady, TriggerSkipped
Action CMD	yes, Action 1 for Trigger
Frame Counter	up to 2 <sup>32</sup>
Payload Size	0 ... 6912224 Byte
Timestamp	64 bit, resolution in nsec, increment = 8
Packet Delay	0 .. 2 <sup>32</sup> - 1 nsec
Packet Resend	Resend Buffer: 53 MB (8 Images)
GigE Vision	v2.0 (v1.2 backward compatible)

<sup>1)</sup> Sensor readout, different from pixel format



## Interfaces and Connectors

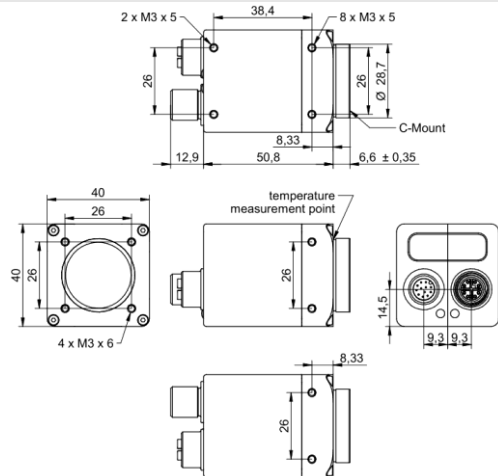
Data and Power Interface	Gigabit Ethernet	Transfer Rate	1000 Mbits/sec
	Fast Ethernet	Transfer Rate	100 Mbits/sec
	Connector:	M12 / 8-pol x-coded (SACC-CI-M12FS-8CON-L180-10G)	
	Assignment:	1 - MX1+	2 - MX1-
		3 - MX2+	4 - MX2-
		5 - MX4+	6 - MX4-
		7 - MX3-	8 - MX3+
Process Interface	Connector:	M12/12-pin a-coded (SACC-CI-M12MS-12CON-L180)	
	Assignment:	1 - Power Vcc	2 - GND (Power)
		3 - IN1 (Line0)	4 - OUT1 (Line4)
		5 - IN2 (Line1)	6 - OUT2 (Line5)
		7 - OUT3 (Line6)	8 - IN3 (Line2)
		9 - OUT4 (Line7)	10 - IN4 (Line3)
		11 - GND (IO)	12 - Power (IO)

## Optical Data

Lens Mount	C-Mount
Optical Filter	IR cut filter

## Mechanical Data

Housing	aluminum, hard anodized
Protection Class	IP40 (with mounted lens and GigE cable) IP54 (with mounted lens and GigE cable) IP65/67 (with mounted tube and cable) IP69k (with stainless steel housing system)
Weight	137 g
Dimensions	



## Environmental Data

Storage Temperature	-10 °C ... +70 °C
Operating Temperature	0 °C ... +65 °C @ T = Measurement Point or 0 °C ... +70 °C @ internal Temperature Sensor Ambient temperature above 45 °C requires heat dissipation measures.
Int. Temperature Sensor	yes, accuracy: ±2 °C (typ) -40 °C ... 0 °C ±1 °C (typ) 0 °C ... +85 °C
Humidity	10 % ... 90 % non-condensing

## LED Signalling

LED	LED 1	Yellow static	Error
		Yellow flash	TX active
LED 2	LED 2	Green static	Link ON
		Green flash	RX active

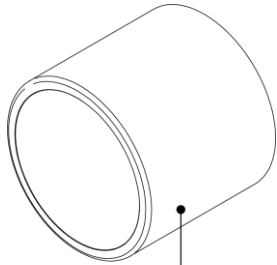
**Optional accessories for IP65/67 protection (ordered separately)**



tube adapter

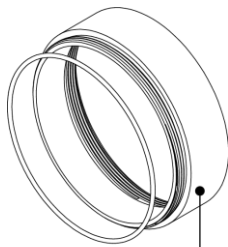
including seals and screws

Article Number	Diameter	Length
11185373	Ø 49,5 mm	5,25 mm
11185377	Ø 65 mm	5,25 mm



tube

Article Number	Diameter	Cover Glass	Length
11185370	Ø 49,5 mm	Acryl	44 mm
11185374	Ø 65 mm		58 mm
11195425	Ø 49,5 mm	Tempered laminated safety glass	44 mm
11195426	Ø 65 mm		58 mm



distance ring

including seal

Article Number	Diameter	Length
11185372	Ø 49,5 mm	6 mm
11185371	Ø 49,5 mm	12 mm
11211571	Ø 49,5 mm	36 mm
11185376	Ø 65 mm	6 mm
11185375	Ø 65 mm	12 mm
11198906	Ø 65 mm	36 mm

**Electrical Data**

Power Supply (ext.)	VCC: 12 ... 24 V DC ± 20% I: 118 ... 237 mA
Power over Ethernet	Class 1 device VCC: 36 ... 57 V DC I: 73 mA @ 48 VDC
Power Consumption	approx. 2.8 W @ 12VDC and 53 fps approx. 3.5 W @ 48 VDC (PoE) and 53 fps (Factory Setting "Default")
Digital Input	Isolated, short circuit protection U <sub>IN(low)</sub> : 0.0 ... 4.5 VDC U <sub>IN(high)</sub> : 11.0 ... 30.0 VDC I <sub>IN</sub> : 3.0 ... 10.0 mA min. Impulse Length: 2.0 µsec
Digital Output	Isolated, short circuit protected U <sub>EXT</sub> : 12 ... 48 V DC [Power (IO)] I <sub>OUT</sub> : Continuously: max. 1.5 A PWM t <sub>ON</sub> max 1s / Duration max 40%: max. 2.5 A (Max. current for each output itself or summery of all outputs) t <sub>ON</sub> = < 0.2 µsec      t <sub>OFF</sub> = < 0.2 µsec max. Frequency: 500 kHz
GPIO	no

**Conformity**

Conformity	CE, RoHS, REACH, EAC
KC Registration No. / Date	- / -
MTBF	51 years @ T = 45 °C / 33 years @ T = 60 °C T = Measurement Point

**GenICam™ Features**

Short Exposure Range	-
Timer	Timer Selector: Timer 1 TimerTriggerSource: Line0, SoftwareTrigger, ExposureStart, ExposureEnd, FrameTransferSkipped, TriggerSkipped, Action 1 and Off TimerDelay: 0 µsec ... 2 sec, Step Size: 1 µsec TimerDuration: 4 µsec ... 2 sec, Step Size: 1 µsec
Counter	Counter Selector: Counter 1, Counter 2 CounterValue: 0 ... 65535 Counter Event Source: Counter1End or Counter2End, ExposureActive, FrameTransferSkipped, FrameTrigger, TriggerSkipped, Line0..3 and Off Counter Reset Source: Counter1End, Counter2End, Line0..3
Sequencer	Sequencer Characteristics: up to 128 sets, up to 4 possible pathes for triggered set transitions, 6 trigger sources: Counter1End, Counter2End, ExposureActive, Line0..3, ReadoutActive, Timer1End Sequencer Parameters for Exposure, Gain, Trigger, ROI and Output: ExposureTime, CounterDuration, CounterEventActivation, CounterEventSource, CounterResetSource, ExposureMode, ExposureTime, Gain, Height, OffsetX, OffsetY, TriggerMode, UserOutputValue, UserOutputValueAll, Width

## GenICam™ Features

User Sets	Factory Settings: UserSet0 (read only) Freely Programmable: UserSet1, UserSet2, UserSet3 Parameters: any user definable Parameter
Acquisition Abort	Delay up to 16.8 msec
Chunk Data	yes, Chunk Selector: Binning, BlackLevel, CounterValue, DeviceTemperature, ExposureTime, FrameID, Gain, Height, Image, ImageControl, LineStatusAll, OffsetX, OffsetY, PixelFormat, SequencerSetActive, Timestamp, Width
Device Temperature	InHouse Event generation for Normal to High, High to Exceeded and Exceeded to Normal Exceeded (no image transfer) = max. internal temperature sensor + 1 °C
Device Link Throughput Limit	yes, up to max. Device Link Speed
Custom Data	yes, 128 Byte
SFNC Version	v2.4

## Factory Settings after Start-Up

Trigger Mode	Off (Free Running)
Analog Controls	Exposure Time: 4 msec, Gain: 0 dB, Offset: 0
Pixel Format	BayerRG8
Partial Scan	Off
Acquisition Frame Rate	Off
Timer/Counter/Sequencer	Off
Defect Pixel Correction	ON
Fixed Pattern Noise Correction	ON
Digital Input	Line0 .. 3, invert = false, line format = Tri State
Digital Output	Line4 .. 7, invert = false, line source = Off, line format = Open Source
GPIO 1/2	no
TriggerSource	All

## Partial Scan @ FullFrame, min Exposure, Mono8 (monochrome camera) or BayerRG8 (color camera)

	Resolution	max. fps acquisition	max. fps interface <sup>2)</sup>
Full HD	1920 x 1080	65	59
SXGA	1280 x 1024	89	89
HD720	1280 x 720	125	125
XGA	1024 x 768	133	133
SVGA	800 x 600	188	188
VGA	640 x 480	235	235
CIF	352 x 288	365	365
QVGA	320 x 240	424	424
QCIF	176 x 144	626	626
LineScan	1920 x 1024	69	62
	1920 x 512	134	125
	1920 x 256	252	250
	1920 x 128	452	452
	1920 x 64	749	749
	1920 x 32	1116	1116
	1920 x 16	1477	1477
	1920 x 8	1762	1762
	1920 x 4	1950	1950
	1920 x 2	2060	2060
	1920 x 1	-	-

<sup>2)</sup> depends on the used interface