

## Sensor Information

Model Name	Sony IMX264
Type	2/3" progressive scan CMOS
Shutter	Global Shutter
Resolution	2448 x 2048 pixels
Scan Area	8.44 mm x 7.06 mm
Pixel Size	3.45 $\mu\text{m}$ x 3.45 $\mu\text{m}$

## Data Quality

@ 20 °C, gain = 1, exposure time = 4 msec

Dark Noise ( $\sigma$ )	2 e- typical
Saturation	9500 e- typical
Dynamic Range	71 dB typical
SNR	40 dB typical
Quantum efficiency $\eta$	46 % @ 465 nm, 59 % @ 536 nm, 54 % @ 631 nm typical

## Acquisition

Resolution	2448 px x 2048 px		
Interface Frame Rate (depends on used interface performance)	Format	Resolution	max. Frame Rate (@ Trigger Mode) <sup>2)</sup>
	Full Frame	2448 x 2048	24 fps
	Binning 2x2	1224 x 1024	35 fps
	Binning 2x1	1224 x 2048	35 fps
	Binning 1x2	2448 x 1024	35 fps
Acquisition Frame Rate <sup>1)</sup> (Burst Mode)	35 fps   $t_{\text{readout}} = 28.1$ msec (max. Res. Full Frame) @ 12 bit		
Pixel Formats	BayerRG8, BayerRG10, BayerRG12, BayerRG12p Mono8, Mono10, Mono12, Mono12p, RGB8, BGR8		
Partial Scan	True Partial Scan with increasing Frame Rate on Y direction, Region of Interest (ROI) arbitrary Width: minimum 16, increment 16 Height: minimum 2, increment 2		
Adjustable Acquisition Frame Rate	Off or Off or 0.01 ... 65535 Hz		
Acquisition Mode	Continuous, Single Frame and Multi Frame		
Acquisition Status	AcquisitionActive, AcquisitionTrigger Wait		
Exposure Mode	Timed		
Readout Mode	Overlapped, Sequential		

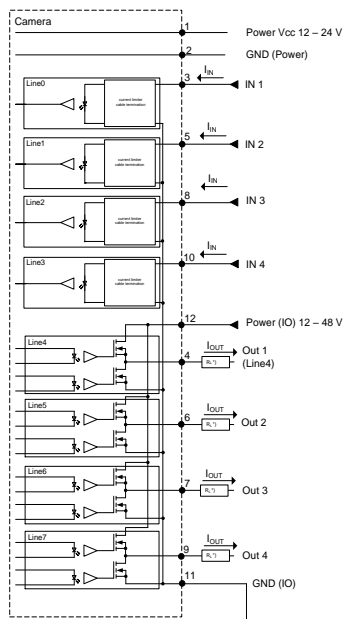
## Image Pre-Processing

Analog Controls	Exposure Time (1 $\mu\text{sec}$ ... 60 sec   Step Size 1 $\mu\text{sec}$ ) Gain (0...48 dB), Offset (0 ... 255 LSB   12 bit)
Auto Function	BalanceWhiteAuto based on FullFrame
LUT	Luminance (12 bit)
Color Models	Mono, Raw Bayer, RGB and BGR
Color Processing	Integrated color processor for high quality color calculation
Color Adjustment	Manual White Balance Automatic White Balance (Once or Continuous) based on Region of Interest (ROI)
Color Enhancement	Color Transformation to sRGB color space by optimized Matrix for 3000 K, 5000 K, 6500 K and 9500 K Lightsource or User defined Matrix
Color Tolerance	-

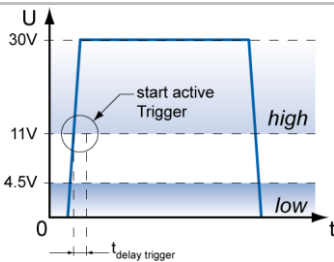
<sup>1)</sup> Sensor readout, different from pixel format

<sup>2)</sup> depends on the used interface

### Digital Input / Output: principle circuit diagram



### Trigger Mode: Start up time and valid Trigger



## Image Pre-Processing

Binning Horizontal	1 or 2
Binning Vertical	1 or 2
Image Flipping	Horizontal, vertical
Defect Pixel Correction	via Defect Pixel List with up to 512 Pixel Coordinates
Fix Pattern Noise Correction	-

## Process Synchronization

Trigger Mode	Off (Free Running), On (Trigger)
Trigger Overlap Type	Readout
Trigger Sources	Hardware (Line0, 1, 2, 3), Software, Action CMD (Action 1), All or Off fixed Trigger Delay out of t <sub>readout</sub> : <sup>1)</sup> 31.2 µsec @ 12 bit max. Trigger Delay during t <sub>readout</sub> : <sup>1)</sup> 40.3 µsec @ 12 bit
Trigger Delay	0 ... 2 sec, Tracking and buffering of up to 128 triggers
External Flash Sync	via Exposure Active t <sub>delay flash</sub> ≤ 3 µsec, t <sub>duration</sub> = t <sub>exposure</sub>
Encoder Function	yes, via Counter and Trigger Source
PTP Function	yes, Master or Slave (IEEE 1588)

## Digital I/Os

Lines	Input: Line 0 .. 3, Output: Line 4 .. 7, GPIO: no
Output Sources	Off, ExposureActive, Timer1, ReadoutActive, UserOutput 1-3 and TriggerReady
Output Line Mode	yes, Tri-State, PushPull, OpenDrain, OpenSource
Output PWM function	yes, Line 4 .. 7 PWM Mode: Off, One Pulse, FixedFrequency PWM feature: PWMDuration, PWMDutyCycle Configuration Mode for lightning protection: MaxPWMDuration, MaxPWMDutyCycle
Line Debouncer	Low and high signal separately selectable Debouncing Time 0 ... 5 msec, Step Size: 1 µsec

## Memory

Image Buffer	115 MB 8 Images (Trigger Mode) / 1 Image (Free Running Mode)
Non-volatile Memory	128 kb

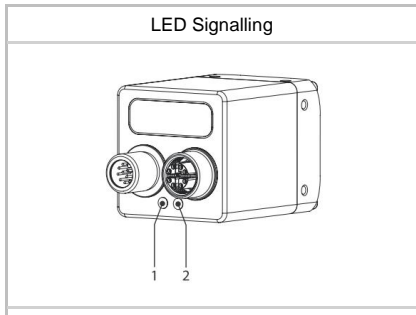
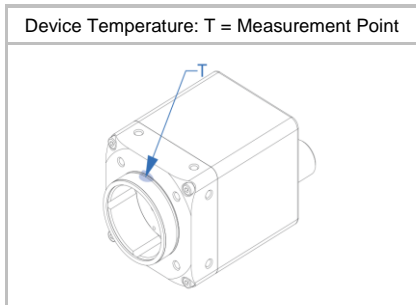
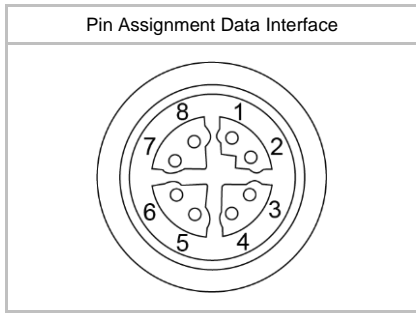
## Network Interface Data

Interface	Gigabit Ethernet 1000BASE-T 1000 Mbits/sec Fast Ethernet 100 BASE-T 100 Mbits/sec
Ethernet IP Configuration	Persistent IP, DHCP, LLA
Packet Size	576 ... 9000 Byte, Jumbo Frames supported

## GigE Vision® Features

Events Transmission via Asynchronous Message Channel	DeviceTemperatureStatusChanged, EventLost, ExposureEnd, ExposureStart, FrameEnd, FrameStart, FrameTransferSkipped, GigE VisionError, GigE VisionHeartbeatTimeOut, PrimaryApplicationSwitch, Line0..7 FallingEdge, Line0..7 RisingEdge, TransferBufferFull, TransferBufferReady, TriggerOverlapped, TriggerReady, TriggerSkipped, PtpServoStatusChanged, PtpStatusChanged
Action CMD	yes, Action 1 for Trigger
Frame Counter	up to 2 <sup>32</sup>
Payload Size	0 ... 15040752 Byte
Timestamp	64 bit, resolution in nsec, increment = 8
Packet Delay	0 .. 2 <sup>32</sup> - 1 nsec
Packet Resend	Resend Buffer: 115 MB (8 Images)
GigE Vision	v2.0

<sup>1)</sup> Sensor readout, different from pixel format



## Interfaces and Connectors

Data and Power Interface	Gigabit Ethernet	Transfer Rate	1000 Mbits/sec
	Fast Ethernet	Transfer Rate	100 Mbits/sec
	Connector:	M12 / 8-pol x-coded (SACC-CI-M12FS-8CON-L180-10G)	
	Assignment:	1 - MX1+	2 - MX1-
		3 - MX2+	4 - MX2-
		5 - MX4+	6 - MX4-
		7 - MX3-	8 - MX3+
Process Interface	Connector:	M12/12-pin a-coded (SACC-CI-M12MS-12CON-L180)	
	Assignment:	1 - Power Vcc	2 - GND (Power)
		3 - IN1 (Line0)	4 - OUT1 (Line4)
		5 - IN2 (Line1)	6 - OUT2 (Line5)
		7 - OUT3 (Line6)	8 - IN3 (Line2)
		9 - OUT4 (Line7)	10 - IN4 (Line3)
		11 - GND (IO)	12 - Power (IO)

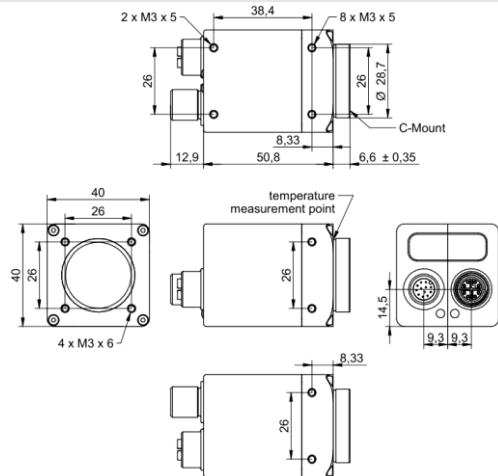
## Optical Data

Lens Mount	C-Mount
Optical Filter	IR cut filter

## Mechanical Data

Housing	aluminum, hard anodized
Protection Class	IP40 (with mounted lens and GigE cable) IP54 (with mounted lens and GigE cable) IP65/67 (with mounted tube and cable) IP69k (with stainless steel housing system)
Weight	137 g

### Dimensions



## Environmental Data

Storage Temperature	-10 °C ... +70 °C
Operating Temperature	0 °C ... +65 °C @ T = Measurement Point or 0 °C ... +70 °C @ internal Temperature Sensor Ambient temperature above 45 °C requires heat dissipation measures.
Int. Temperature Sensor	yes, accuracy: ±2 °C (typ) -40 °C ... 0 °C ±1 °C (typ) 0 °C ... +85 °C
Humidity	10 % ... 90 % non-condensing

<sup>1)</sup> the maximum temperature for Sony sensor characteristics (sensor performance) are guaranteed up to 55°C @ Measurement Point or 59°C @ internal temperature sensor

## LED Signalling

LED	LED 1	Yellow static	Error
		Yellow flash	TX active
LED 2	LED 2	Green static	Link ON
		Green flash	RX active

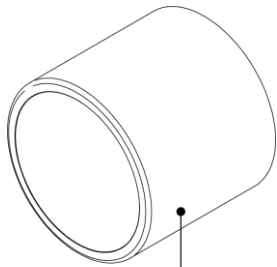
**Optional accessories for IP65/67 protection (ordered separately)**



tube adapter

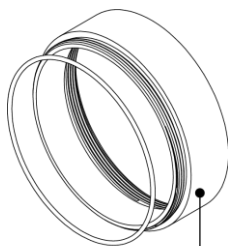
including seals and screws

Article Number	Diameter	Length
11185373	Ø 49,5 mm	5,25 mm
11185377	Ø 65 mm	5,25 mm



tube

Article Number	Diameter	Cover Glass	Length
11185370	Ø 49,5 mm	Acryl	44 mm
11185374	Ø 65 mm		58 mm
11195425	Ø 49,5 mm	Tempered laminated safety glass	44 mm
11195426	Ø 65 mm		58 mm



distance ring

including seal

Article Number	Diameter	Length
11185372	Ø 49,5 mm	6 mm
11185371	Ø 49,5 mm	12 mm
11211571	Ø 49,5 mm	36 mm
11185376	Ø 65 mm	6 mm
11185375	Ø 65 mm	12 mm
11198906	Ø 65 mm	36 mm

**Electrical Data**

Power Supply (ext.)	VCC: 12 ... 24 V DC ± 20% I: 102 ... 205 mA
Power over Ethernet	Class 1 device VCC: 36 ... 57 V DC I: 64 mA @ 48 VDC
Power Consumption	approx. 2.5 W @ 12VDC and 24 fps approx. 3.0 W @ 48 VDC (PoE) and 24 fps (Factory Setting "Default")
Digital Input	Isolated, short circuit protection U <sub>IN(low)</sub> : 0.0 ... 4.5 VDC U <sub>IN(high)</sub> : 11.0 ... 30.0 VDC I <sub>IN</sub> : 3.0 ... 10.0 mA min. Impulse Length: 2.0 µsec
Digital Output	Isolated, short circuit protected U <sub>EXT</sub> : 12 ... 48 V DC [Power (IO)] I <sub>OUT</sub> : Continuously: max. 1.5 A PWM t <sub>ON</sub> max 1s / Duration max 40%: max. 2.5 A (Max. current for each output itself or summery of all outputs) t <sub>ON</sub> = < 0.2 µsec      t <sub>OFF</sub> = < 0.2 µsec max. Frequency: 500 kHz
GPIO	no

**Conformity**

Conformity	CE, RoHS, REACH
KC Registration No. / Date	- / -
MTBF	44 years @ T = 45 °C / 29 years @ T = 60 °C T = Measurement Point

**GenICam™ Features**

Short Exposure Range	yes, ShortExposureTimeEnable Short Exposure Range 1 µsec ... 60 sec Default Exposure Range 15 µsec ... 60 sec
Timer	Timer Selector: Timer 1 TimerTriggerSource: Line0, SoftwareTrigger, ExposureStart, ExposureEnd, FrameTransferSkipped, TriggerSkipped, Action 1 and Off TimerDelay: 0 µsec ... 2 sec, Step Size: 1 µsec TimerDuration: 4 µsec ... 2 sec, Step Size: 1 µsec
Counter	Counter Selector: Counter 1, Counter 2 CounterValue: 0 ... 65535 Counter Event Source: Counter1End or Counter2End, ExposureActive, FrameTransferSkipped, FrameTrigger, TriggerSkipped, Line0..3 and Off Counter Reset Source: Counter1End, Counter2End, Line0..3
Sequencer	Sequencer Characteristics: up to 128 sets, up to 4 possible paths for triggered set transitions, 6 trigger sources: Counter1End, Counter2End, ExposureActive, Line0..3, ReadoutActive, Timer1End Sequencer Parameters for Exposure, Gain, Trigger, ROI and Output: ExposureTime, CounterDuration, CounterEventActivation, CounterEventSource, CounterResetSource, ExposureMode, ExposureTime, Gain, Height, OffsetX, OffsetY, TriggerMode, UserOutputValue, UserOutputValueAll, Width

## GenICam™ Features

User Sets	Factory Settings: UserSet0 (read only) Freely Programmable: UserSet1, UserSet2, UserSet3 Parameters: any user definable Parameter
Acquisition Abort	Delay up to 28.1 msec
Chunk Data	yes, Chunk Selector: Binning, BlackLevel, CounterValue, DeviceTemperature, ExposureTime, FrameID, Gain, Height, Image, ImageControl, LineStatusAll, OffsetX, OffsetY, PixelFormat, SequencerSetActive, Timestamp, TriggerID, Width
Device Temperature	InHouse Event generation for Normal to High, High to Exceeded and Exceeded to Normal Exceeded (no image transfer) = max. internal temperature sensor + 1 °C
Device Link Throughput Limit	yes, up to max. Device Link Speed
Custom Data	yes, 128 Byte
SFNC Version	v2.4

## Factory Settings after Start-Up

Trigger Mode	Off (Free Running)
Analog Controls	Exposure Time: 4 msec, Gain: 0 dB, Offset: 0
Pixel Format	BayerRG8
Partial Scan	Off
Acquisition Frame Rate	Off
Timer/Counter/Sequencer	Off
Defect Pixel Correction	ON
Fixed Pattern Noise Correction	-
Digital Input	Line0 .. 3, invert = false, line format = Tri State
Digital Output	Line4 .. 7, invert = false, line source = Off, line format = Open Source
GPIO 1/2	no
TriggerSource	All

## Partial Scan @ FullFrame, min Exposure, Mono8 (monochrome camera) or BayerRG8 (color camera)

	Resolution	max. fps acquisition	max. fps interface <sup>2)</sup>
Full HD	1920 x 1080	66	59
SXGA	1280 x 1024	69	69
HD720	1280 x 720	96	96
XGA	1024 x 768	91	91
SVGA	800 x 600	114	114
VGA	640 x 480	140	140
CIF	352 x 288	218	218
QVGA	320 x 240	253	253
QCIF	176 x 144	374	374
LineScan	2448 x 2048	35	24
	2448 x 1024	69	49
	2448 x 512	132	98
	2448 x 256	240	196
	2448 x 128	406	393
	2448 x 64	620	620
	2448 x 32	842	842
	2448 x 16	1026	1026
	2448 x 8	1152	1152
	2448 x 4	1227	1227
	2448 x 2	1269	1269
	2448 x 1	-	-

<sup>2)</sup> depends on the used interface