



# ZEISS Interlock Compact 2/50



## Features

- Very compact but suitable to large image format
- For industrial cameras up to sensor sizes of 24x36 mm or 41mm line sensors
- Fast f/2.0 aperture
- Precise manual focusing
- Robust full-metal construction
- Features special screws to fix focus and aperture settings even in rough situations
- Due to light weight resistant against vibrations and shocks

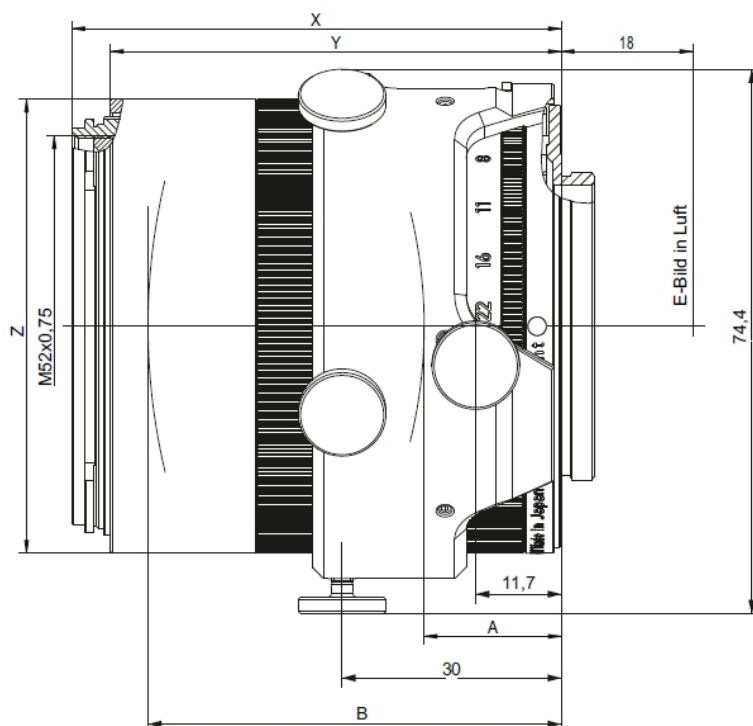
## Camera Mount

M42x1 screw mount  
(18 mm FFD)



# ZEISS Interlock Compact 2/50

## Technical Specifications



| X              | Y       | Z           | A               | B               |
|----------------|---------|-------------|-----------------|-----------------|
| 54.0 mm (inf.) | 49.4 mm | ∅ = 62.0 mm | 11.72 mm (inf.) | 52.61 mm (inf.) |

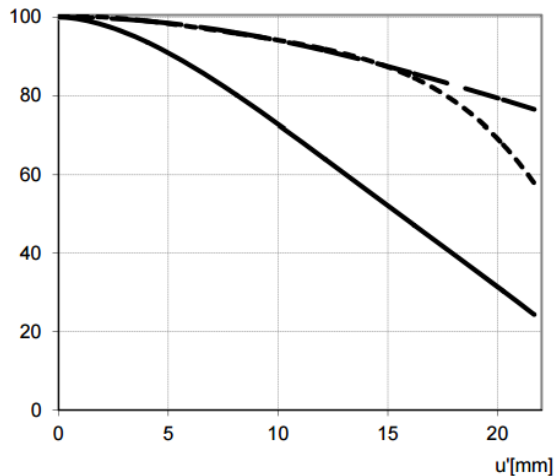
|   |  |
|---|--|
| <b>Focal length</b>                             | 50 mm  |
| <b>Aperture range</b>                           | f/2 – f/22                                     |
| <b>Number of elements / groups</b>              | 6 / 4  |
| <b>Min. working distance (object to sensor)</b> | 450 mm (1.47 ft.) – ∞                          |
| <b>Min. free working distance</b>               | 370 mm (1.21 ft.) – ∞                          |
| <b>Angular field* (diag. / horiz. / vert.)</b>  | 46 / 39 / 26°                                  |
| <b>Max. diameter of image field</b>             | 43 mm (1.7")                                   |
| <b>Flange focal length</b>                      | 18,0 mm  |
| <b>Coverage at close range</b>                  | 248 x 165 mm (9.7 x 6.5"), line 282 mm (11.1") |
| <b>Image ratio at close range</b>               | 1:6.9  |
| <b>Filter-thread</b>                            | M 52 x 0.75                                    |
| <b>Weight</b>                                   | 374 g (0.8 lbs.)                               |
| <b>Camera mount</b>                             | M42 (18.0 mm FFD)                              |

\* referring to 24 x 36 mm format resp. 43 mm line



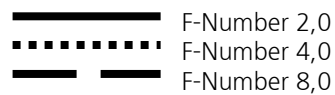
# ZEISS Interlock Compact 2/50

## Relative Illuminance\*

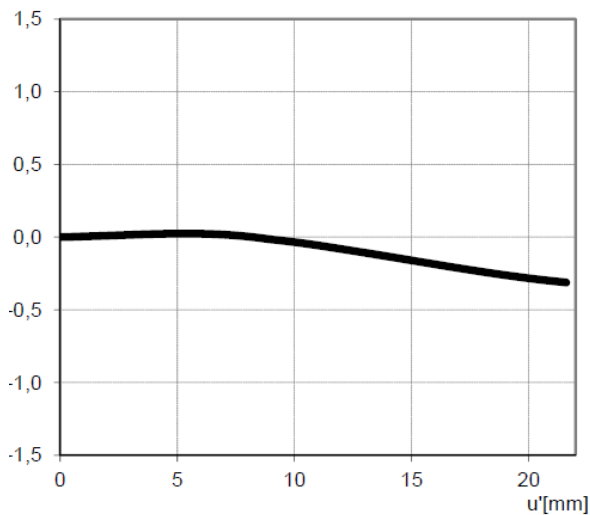


E [%]

The relative illuminance shows the image brightness over the image height  $u'$  in relation to the image center.



## Relative Distortion\*



V [%]

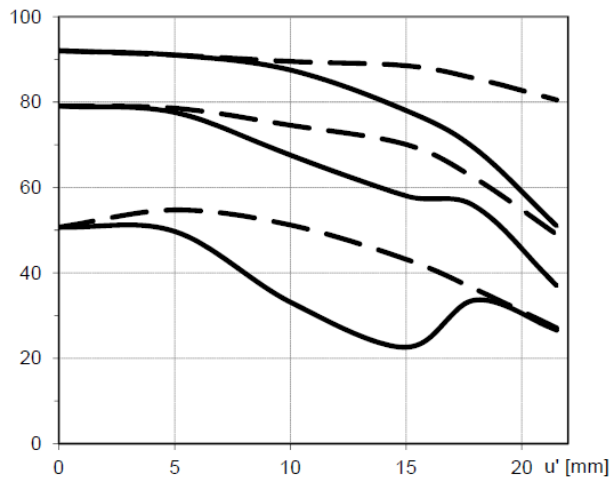
The relative distortion shows the deviation of the image height from the expected image height  $u'$  in percent.

\*Data for infinite focus setting



# ZEISS Interlock Compact 2/50

## MTF Charts\*

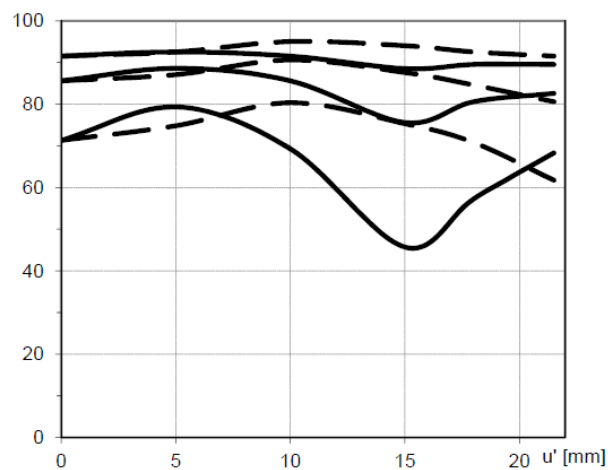


### Contrast [%]

The Modulation Transfer (MTF) as a function of image height ( $u$ ) and slit orientation (sagittal, tangential) has been measured with white light at spatial frequencies of  $R = 10, 20$  and  $40$  cycles/mm.

### F-Number 2.0

— Saggital  
... Tangential



### Contrast [%]

### F-Number 5.6

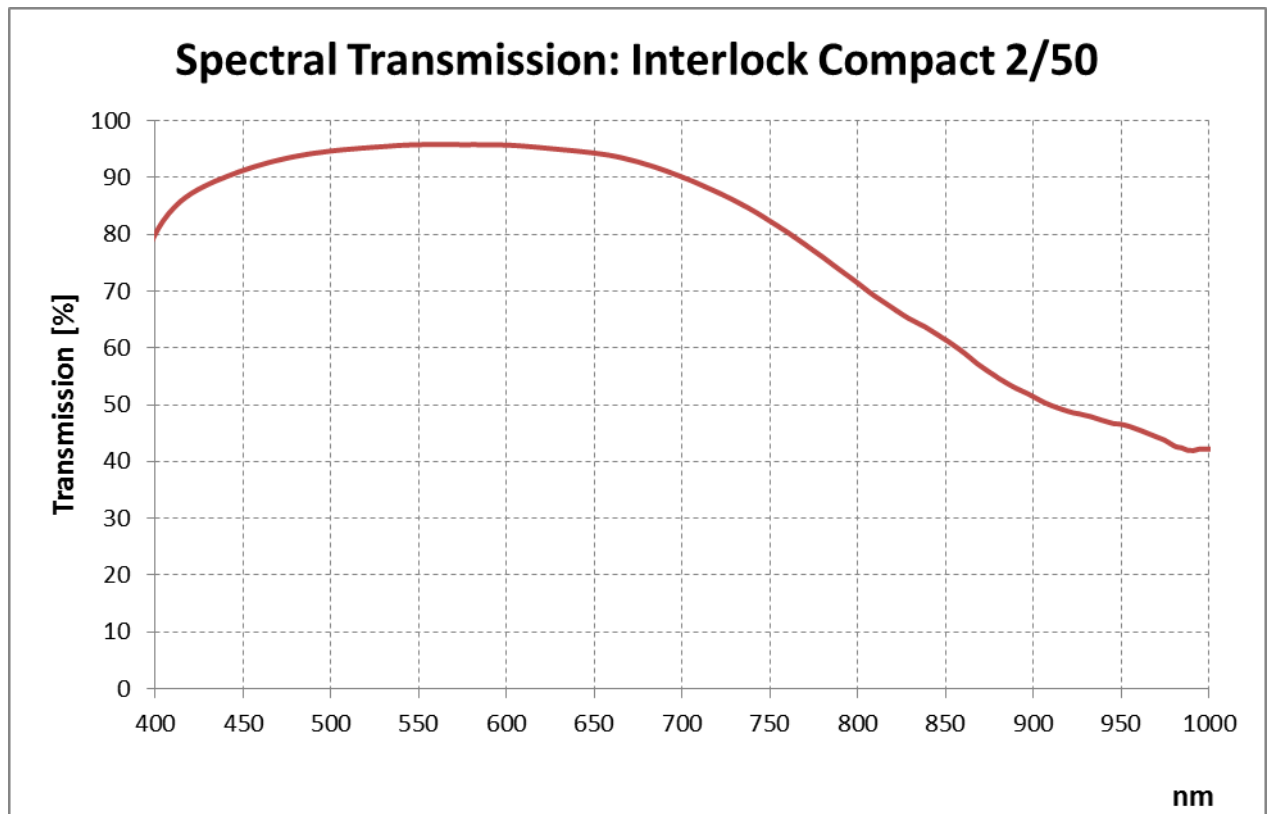
— Saggital  
... Tangential

*\*Data for infinite focus setting*



# ZEISS Interlock Compact 2/50

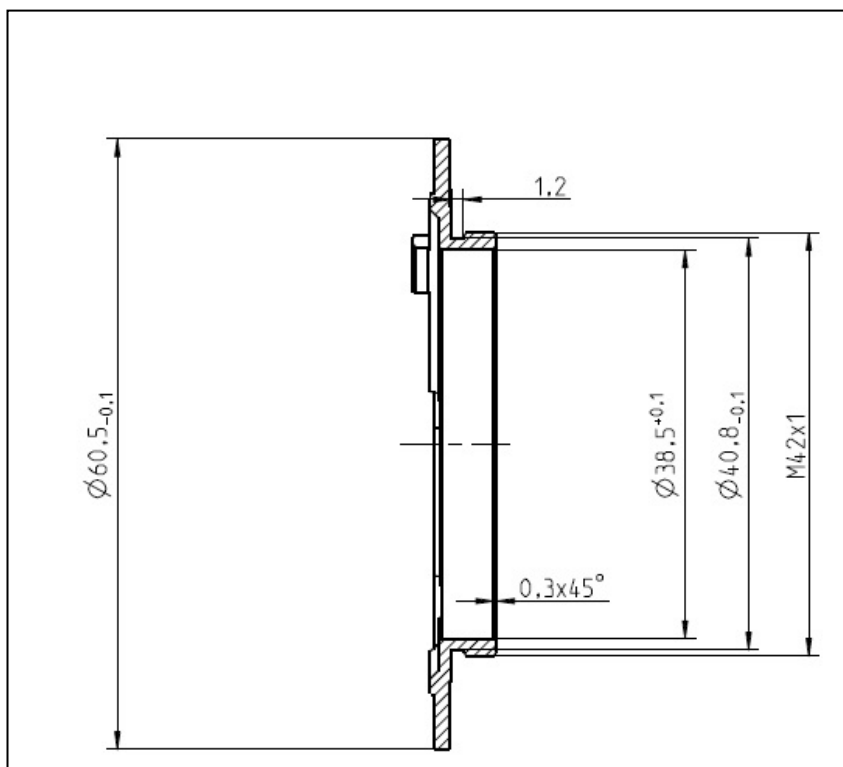
## Spectral Transmission





# ZEISS Interlock Compact 2/50

Sketch of the M42x1 Interface (FFD 18.0 mm)



The diameter of the camera/lens adapter must not exceed 60 mm at the interface to the lens !