

The compact 23 mm focal length SWIRON is lens for 2/3" sensor, for SWIR wavelength range. This lens is extremely robust and insensitive to rough ambient conditions, with the result that the lens retains its high optical imaging performance in industrial environments, as in fluid inspection systems.

The secure locking of the iris and focus settings and the SWIR coating of 800 - 1800 nm is standard for this lens. Ideal for LIDAR application and agriculture applications. More SWIRON lenses: 50 mm focal length high resolution and 40 mm large format SWIR lenses both with either C-Mount or V-Mount.



SWIRON 1.4/23

Key features

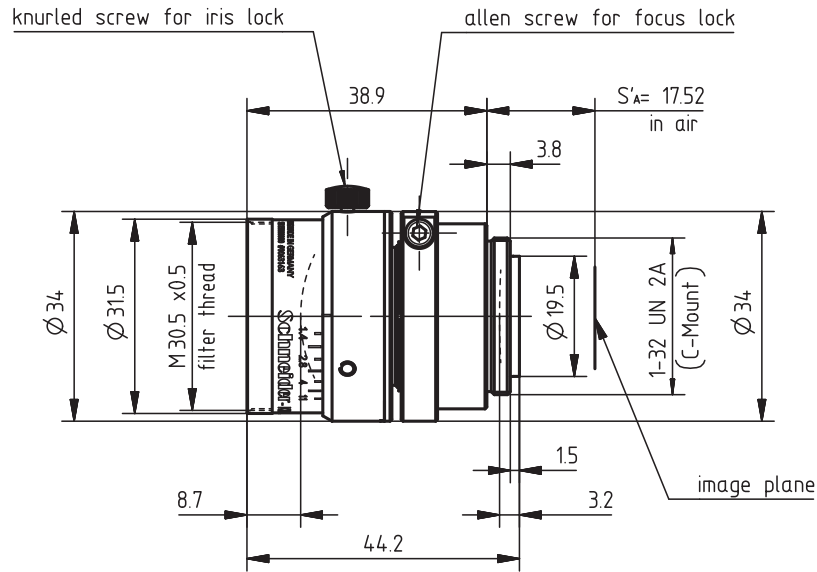
- Suitable for 2/3" sensor
- Minimized focal shift
- Distortion less than 1%
- Designed for 800 nm - 1800 nm

Applications

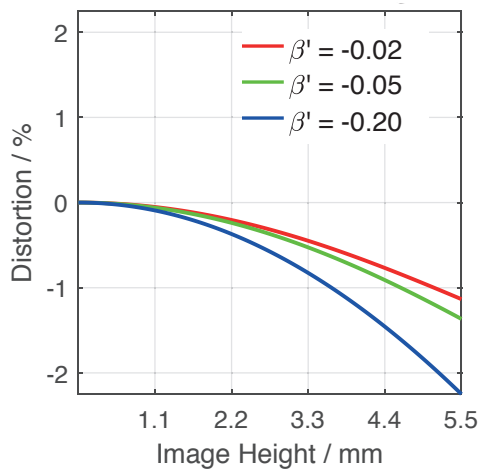
- Bio-pharmaceuticals / medical
- Fluid inspection
- Food control / agriculture
- Plastic waste sorting
- Solar inspection
- LIDAR
- Hyperspectral imaging / material testing

Name	SWIRON 1.4/23
Type	-0904
Focal Length [mm]	23
Magnification	-0.2
Image circle [mm]	11
Resolution [μm]	-
F/# range	1.4 ... 11
NA	0.36
Interface	C-Mount
Working distance [mm]	∞ - 102
AoV [$^\circ$]	26
Focus control	manual
Transmission [nm]	800 - 1800
Filter thread [mm]	M30,5 x 0,5
Dimensions L x D [mm]	44.2 x 34.0

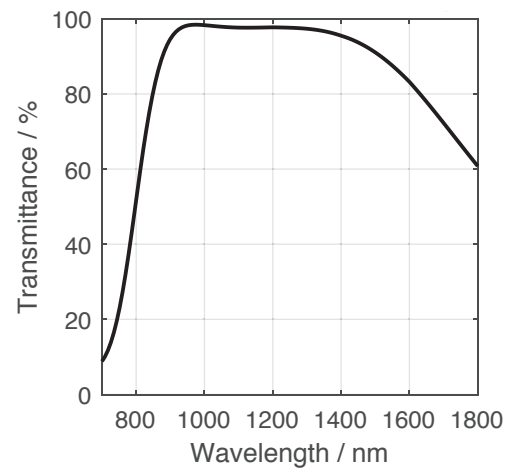
Name	SWIRON 1.4/23
Weight [g]	115
Storage temperature [$^\circ\text{C}$]	-25 ... +70
f'_{eff} [mm]	23.13
S_F [mm]	8.93
S'_F [mm]	15.76
HH' [mm]	-7.17
β'_P	2.337
S_{EP} [mm]	18.82
S'_{AP} [mm]	-38.29
Σd [mm]	32.25
ID	1063163



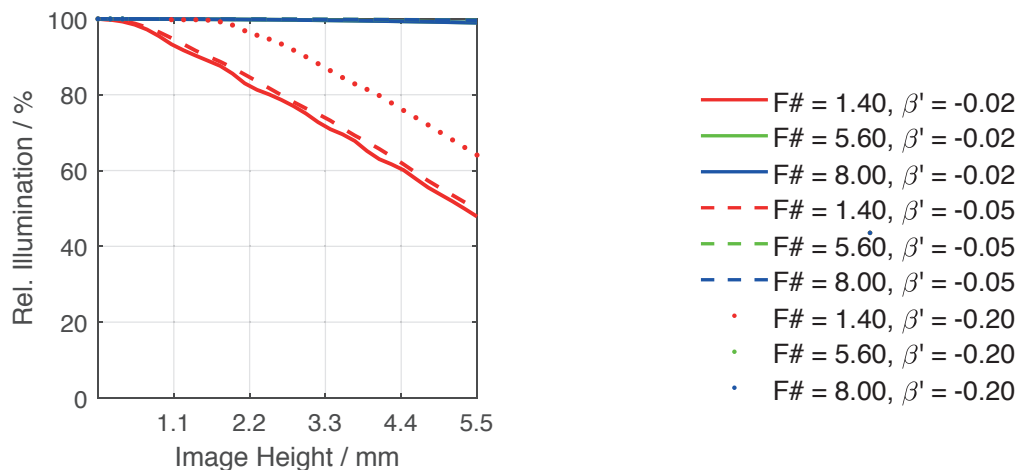
Distortion vs. Image Height



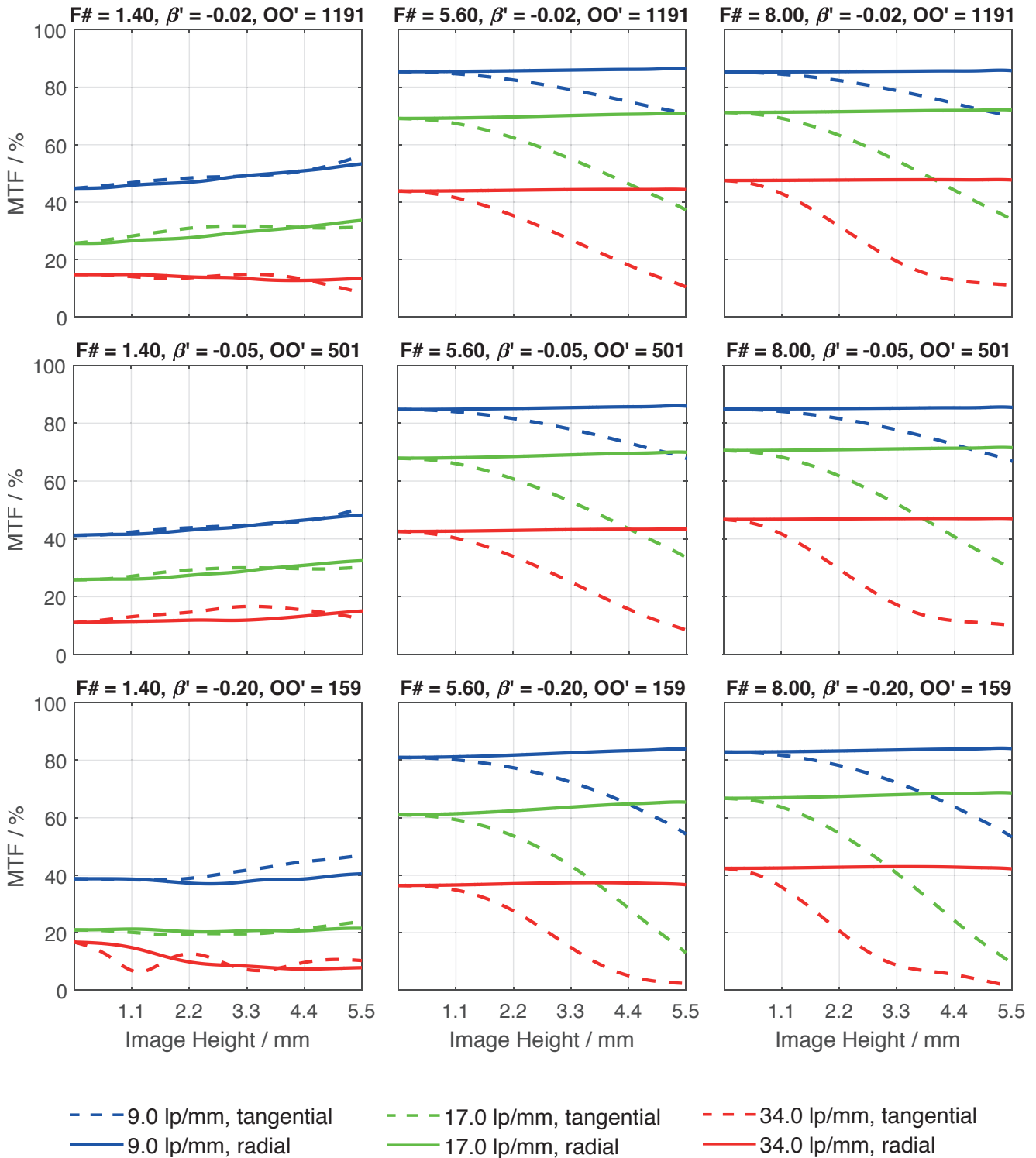
Transmittance vs. Wavelength



Relative Illumination vs. Image Height



Spectrum Name	SWIR					
Wavelengths [nm]	920	1070	1220	1370	1520	1670
Weights	16.9	18.2	17.7	17.1	15.9	14.2



Accessories	Mount	Length	ID
Adapter	CS-Mount Adapter	5 mm	25081
	C-Mount / M42 x 1 Adapter	-	1075817
Ext. Tube	C-Mount	5 mm	39316
	C-Mount	8 mm	39315
	C-Mount	10 mm	39312

Get more information

Contact our local offices



Headquarter Germany

Jos. Schneider Optische Werke GmbH
Ringstraße 132
55543 Bad Kreuznach
☎ +49 671 601 205
✉ cs@schneiderkreuznach.com
www.schneiderkreuznach.com

Offices Worldwide

China

☎ +86 755 8832 1170
✉ shawn.liu@schneider-asiapacific.com

North America

☎ +1 800 645 7239 (East Coast)
☎ +1 800 228 1254 (West Coast)
✉ info@schneideroptics.com

Singapore

☎ +65 9488 0062
✉ thongv@schneiderkreuznach.com