



TELEDYNE PHOTOMETRICS
Everywhereyoulook™



KINETIX

The New Category In sCMOS Cameras

10 Megapixel
6.5 μm Pixel Size
500 Frames Per Second
29.4 mm Field Of View
95% Quantum Efficiency

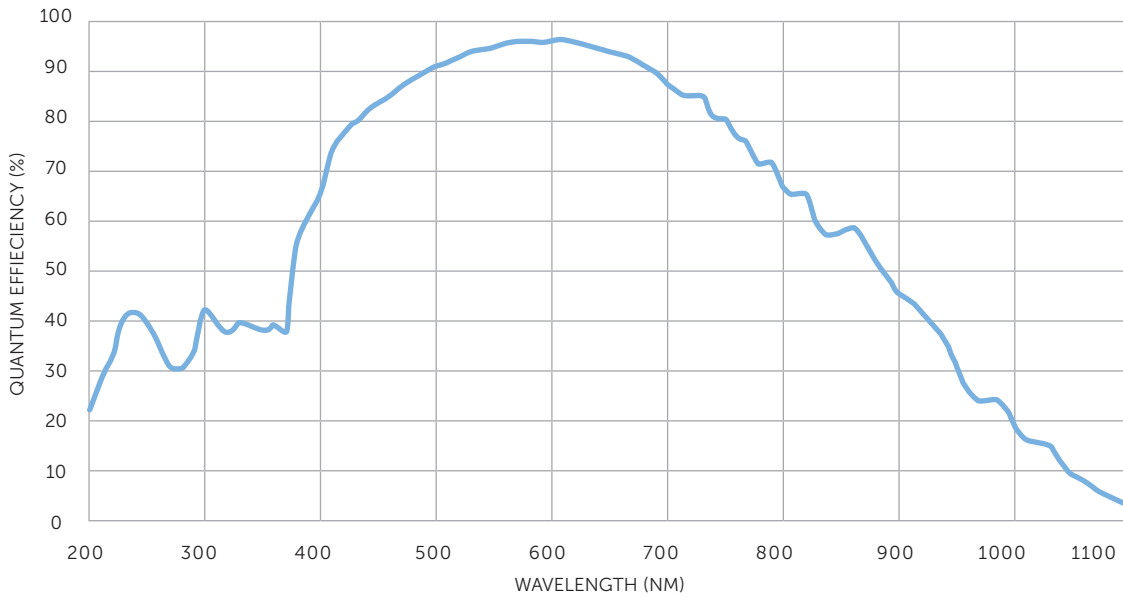
Specifications	Camera Performance
Sensor	Teledyne Photometrics Kinetix Sensor
Active Array Size	3200 x 3200 (10.24 Megapixel)
Pixel Area	6.5µm x 6.5µm (42.25µm ²)
Sensor Area	20.8mm x 20.8mm 29.4mm diagonal
Peak QE%	>95%
Readout Mode	Rolling Shutter Effective Global Shutter Programmable Scan Mode
Binning	2x2 Digital
Linearity	>99%
Cooling Options	Air Cooled Liquid Cooled

Camera Modes

Specifications	Dynamic Range	Speed	Sensitivity (CMS)
Bit-Depth	16-bit	8-bit	12-bit
Frame Rate (Full Frame)	83 fps	500 fps	88 fps
Read Noise	1.6e ⁻	2.0e ⁻	1.2e ⁻
Cooling	0° C	+5° C	0° C
Line Time	3.749 µsec/line (Dynamic Range)	0.625 µsec/line (Speed)	3.53125 µsec/line (Sensitivity)

Specification	Camera Interface
Digital Interface	PCI-Express Gen 3 USB 3.2 10 Gbps
Lens Interface	T-Mount F-Mount C-Mount Swappable Mounts
Mounting Points	2x 1/4" mounting points per side

Triggering Mode	Function
Input Trigger Modes	Trigger First: Sequence triggered on first rising edge Edge: Exposure time is controlled by length of high trigger signal SMART Streaming: Fast iteration through multiple exposure times
Output Trigger Modes	Any Row: Expose signal is high while any rows acquiring data Rolling Shutter: Effective Global Shutter - Expose signal is high when all rows are acquiring data Signal is High for set Exposure time - Readout Time First Row: Expose signal is high while first row is acquiring data. Line Output: Expose signal provides rising edge for each row advanced by the rolling shutter readout
Output Trigger Signals	Expose Out (up to four signals), Read Out, Trigger Ready



Accessories (Included)

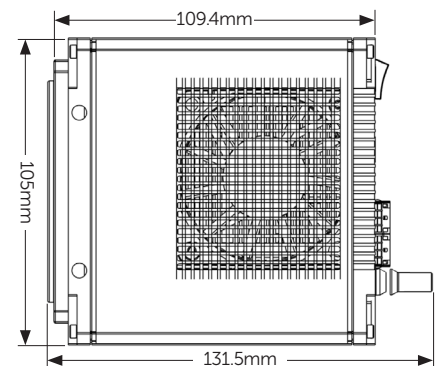
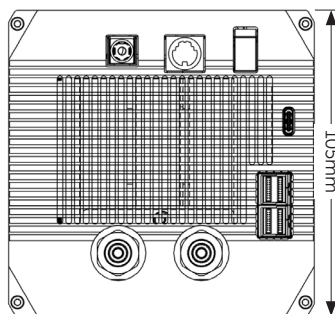
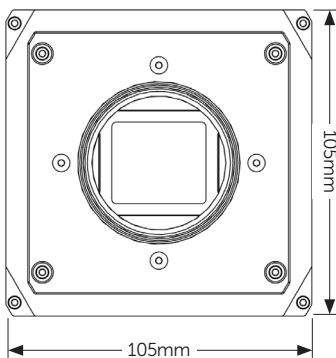
- USB 3.2 Cable
- Trigger Cable
- Power Supply
- Quickstart Guide
- PCIe Card/Cable

Accessories (Additional)

- Liquid Circulator
- Liquid Cooling Tubes

Frame Rate

Array Size	Dynamic Range		Speed		Sensitivity (CMS)	
	PCI-E	USB	PCI-E	USB	PCI-E	USB
3200 x 3200	83	34	500	83	88	38
3200 x 2304	115	47	694	115	122	52
3200 x 2048	130	53	781	129	138	59
3200 x 1600	166	69	1000	166	176	76



Teledyne Photometrics is a registered trademark. Kinetix is a trademark of Teledyne Photometrics. All other brand and product names are the trademarks of their respective owners.

Specifications in this datasheet are subject to change. Refer to the Teledyne Photometrics website for most current specifications.



www.photometrics.com
photometrics.info@teledyne.com/ tel: +1 520.889.9933



TELEDYNE IMAGING
 Everywherelyoulook™