

MV-CL024-91GM

2048 P CMOS GigE Line Scan Camera



GEN*i*CAM

GigE
VISION

Introduction

MV-CL024-91GM camera adopts CMOS sensor to provide high-quality images and integrates multiple ISP image algorithms and functions. It supports line trigger, frame trigger, line + frame trigger, etc. It uses GigE interface to transmit images in real time and its max. line rate can reach 86 kHz in high-bandwidth mode.

Key Feature

- Supports TDI and image high-bandwidth function.
- Supports Gamma correction, FFC correction, LUT, black level, etc.
- Adopts bi-directional I/O and flexible configuration for input/output signals.
- Supports flexible installation from different sides.
- Compatible with GigE Vision V2.0 protocol and GenICam standard.

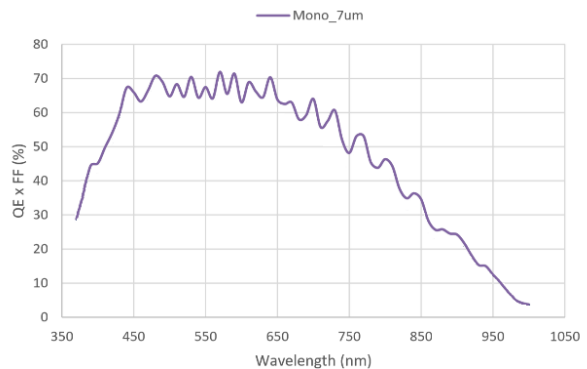
Available Model

MV-CL024-91GM

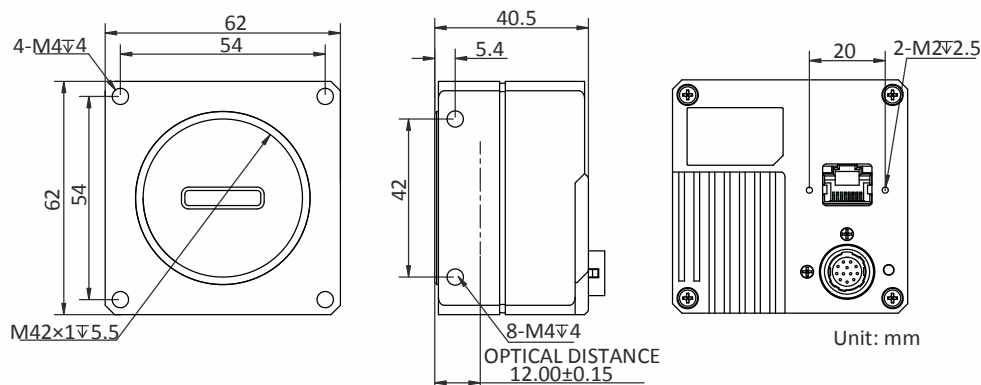
Applicable Industry

Photovoltaics, lithium battery, railway, textiles, logistics, metallurgy, material sorting, etc.

Sensor Quantum Efficiency



Dimension



Specification

Model	MV-CL024-91GM
Camera	
Sensor type	CMOS
Pixel size	7 μm
Resolution	2048 \times 2
Image mode	Supports 1-line, 2-TDI
Max. line rate	Standard mode: 58 kHz @Mono 8, 29 kHz @Mono 10/12 High-bandwidth mode: 86 kHz @Mono 8, 58 kHz @Mono 10/12
Dynamic range	68 dB
SNR	44.7 dB
Gain	Supports 1.0 \times
Exposure time	3 μs to 10 ms
Exposure mode	Off/ Once/ Continuous exposure mode, and supports trigger-width exposure
Mono/color	Mono
Pixel format	Mono 8/10/12
Binning	Supports 1 \times 1, 2 \times 2, 4 \times 4
Reverse image	Supports horizontal reverse image output
Trigger mode	External trigger, internal trigger
External trigger mode	Line trigger, frame trigger, line + frame trigger
Electrical feature	
Data interface	Gigabit Ethernet, compatible with Fast Ethernet
Digital I/O	12-pin P10 connector provides power supply and I/O: configurable output and input \times 4 (Line 0/1/3/4), supports single-end/differential
Power supply	12 VDC to 24 VDC, supports PoE
Power consumption	Typ. 5.2 W @12 VDC
Mechanical	
Lens mount	M42 *1.0, optical back focal length: 12 mm (0.5"), applicable to F-mount, C-mount and others via lens adapter
Dimension	62 mm \times 62 mm \times 40.5 mm (2.4" \times 2.4" \times 1.6")
Weight	Approx. 256 g (0.6 lb.)
Ingress protection	IP40 (under proper lens installation and wiring)
Temperature	Working temperature: -20 $^{\circ}\text{C}$ to 55 $^{\circ}\text{C}$ (-4 $^{\circ}\text{F}$ to 131 $^{\circ}\text{F}$) Storage temperature: -30 $^{\circ}\text{C}$ to 80 $^{\circ}\text{C}$ (-22 $^{\circ}\text{F}$ to 176 $^{\circ}\text{F}$)
Humidity	5% to 90% RH, non-condensing
General	
Client software	MVS or the third-party software meeting with GigE Vision protocol
Operating system	32/64-bit Windows XP/7/10, 32/64-bit Linux, and 64-bit MacOS
Compatibility	GigE Vision V2.0, GenICam
Certification	CE, FCC, RoHS, KC

HIKROBOT

Hangzhou Hikrobot Technology Co., Ltd.
No.399 Danfeng Road, Binjiang District, Hangzhou 310051, China.
en.hikrobotics.com

Copyright Hikrobot

Hangzhou Hikrobot Technology Co., Ltd. All Rights Reserved. Hangzhou Hikrobot Technology does not tolerate any infringement. Any organization or individual may not imitate or reproduce in whole or in part of the content. The data herein is based on Hikrobot's internal evaluation. Actual data may vary depending on specific configuration and operating condition. The information herein is subject to change without notice. All the content has been checked conscientiously. Nevertheless, Hikrobot shall not be liable to damages resulting from errors, inconsistencies or omissions.