

MV-GC1102IOL

2-Channel Camera Link Frame Grabber



GEN<i>i</i>CAM



Introduction

MV-GC1102IOL Camera Link frame grabber supports Camera Link protocol, and supports Base, Medium, Full, and 80-bit configuration modes. It adopts 1 GB on-board memory to cache images. The frame grabber provides SDK interface and complies with GenIcam standard for secondary development.

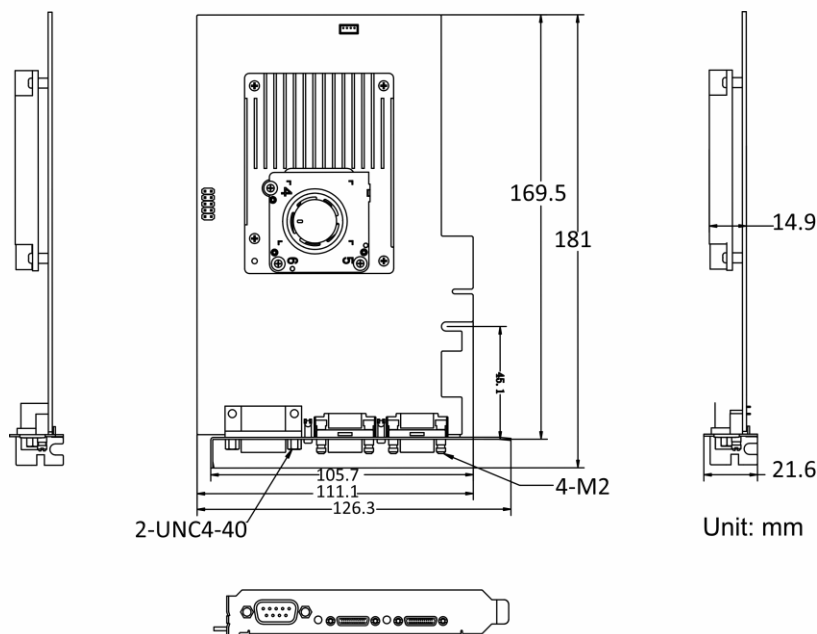
Available Model

MV-GC1102IOL

Key Feature

- Supports Camera Link protocol with two SDR connectors accessing up to 6.8 Gbps data transfer speed theoretically.
- Supports PoCL with each channel providing 4 W at most.
- Adopts multiple I/O connectors for input and output.
- Provides SDK and supports GenTL protocol for secondary development.
- Complies with GenIcam standard.

Dimension



Specification

Model	MV-GC1102IOL
Performance	
Configuration mode	Base, Medium, Full, 80-bit, Lite
Pixel clock	20 MHz to 85 MHz
Memory	
On-board memory	1 GB DDR3-RAM
Host interface	
Interconnect	PCI-E gen2 × 4
Delivery bandwidth	1720 MB/s (max. transmission bandwidth), 1600 MB/s (sustained transmission bandwidth)
Indicator	1
Camera interface	
Standard	Camera Link 2.1
Connector	SDR × 2
Power output	PoCL, each channel provides 4 W@ 12 VDC at most
Camera type supported	Camera Link industrial camera
Camera quantity supported	2 at most
Camera connection speed	6.8 Gbps
Stream	2
Stream indicator	2
Processing feature	
Pixel format	Mono 8/10/12/16, Bayer 8/10/12/16, RGB 8, BGR 8
GPIO	
I/O Type	Configurable input/output × 8, compatible with single-ended/differential Line 2/3 supports 3.3 VDC to 26 VDC input and 3.3 VDC output Line 0/1/4/5/6/7 supports 3.3 VDC to 12 VDC input, and 3.3 VDC output
Connector	DB9 male connector, 9-pin header (2.54 mm interval, 2 × 5, 10-pin blind hole)
Electrical feature	
Power consumption	Typ. 9 W (without PoCL)
Mechanical	
Dimension	181 mm × 126.3 mm × 21.6 mm (7.1" × 5.0" × 0.9")
Temperature	Working temperature: 0 °C to 60 °C (32 °F to 140 °F) Storage temperature: -20 °C to 70 °C (-4 °F to 158 °F)
Humidity	10% to 95% RH, non-condensing
General	
Client software	MVS
Operating system	32/64-bit Windows 7/10
Certification	CE, FCC, RoHS, KC

HIKROBOT

Hangzhou Hikrobot Technology Co., Ltd.
No.399 Danfeng Road, Binjiang District, Hangzhou 310051, China.
en.hikrobotics.com

Copyright Hikrobot

Hangzhou Hikrobot Technology Co., Ltd. All Rights Reserved. Hangzhou Hikrobot Technology does not tolerate any infringement. Any organization or individual may not imitate or reproduce in whole or in part of the content. The data herein is based on Hikrobot's internal evaluation. Actual data may vary depending on specific configuration and operating condition. The information herein is subject to change without notice. All the content has been checked conscientiously. Nevertheless, Hikrobot shall not be liable to damages resulting from errors, inconsistencies or omissions.