

MV-SC2004EM-06S-WBN-Mini

0.4 MP 1/2.9" Vision Sensor



Introduction

With built-in positioning and measurement algorithms, MV-SC2004EM-06S-WBN-Mini vision sensor can detect object's existence, count patterns and spots, etc. It can be monitored and operated via the SCMVS client. It can output results via RS-232 and Ethernet, and cooperate with other processes via IO. The vision sensor supports multiple result output methods and customized result text output.

Key Features

- Adopts embedded hardware platform for high-speed image processing.
- Adopts built-in positioning and measurement algorithms to detect object's existence, count patterns and spots, etc.
- Multiple IO interfaces for input and output signals.
- Multiple indicators for displaying device status.
- Adopts light source to ensure uniform brightness in the illuminated area.
- Supports multiple communication protocols, including Serial Port, TCP, UDP, FTP, Profinet, Modbus, Ethernet/IP, etc.

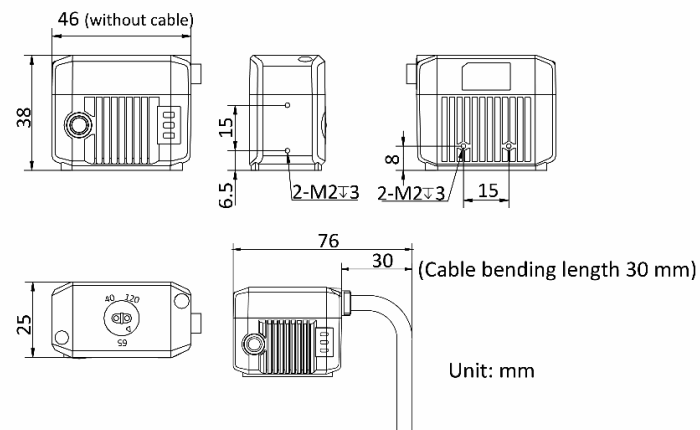
Available Model

MV-SC2004EM-06S-WBN-Mini

Applicable Industry

Consumer electronics, food and medical industry, automobile, etc.

Dimension

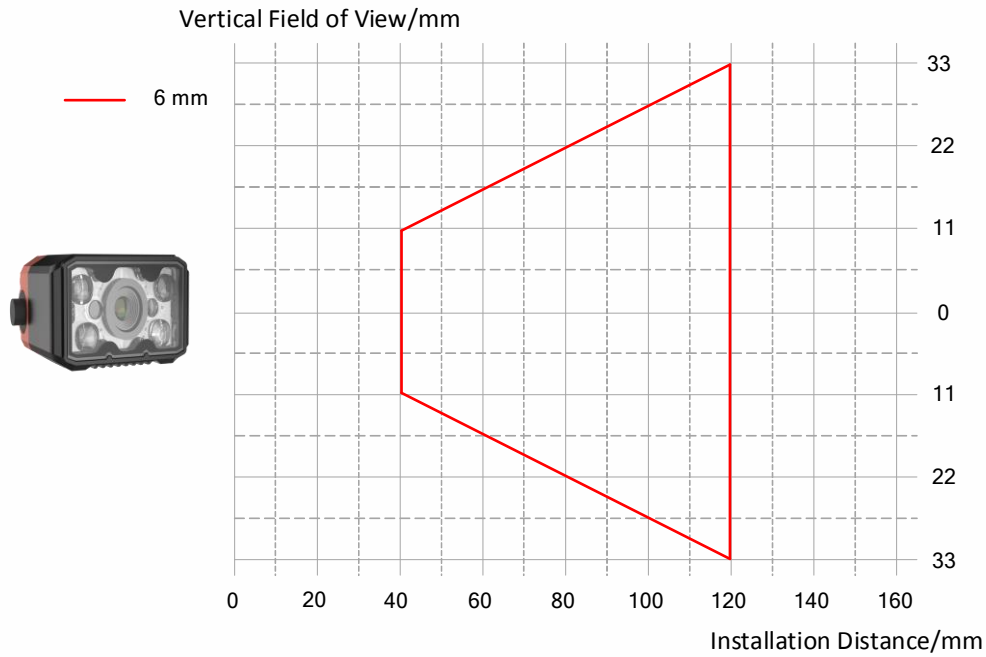


Specification

Model	MV-SC2004EM-06S-WBN-Mini
Tool	
Vision tool	<ul style="list-style-type: none"> ● Existence: Pattern existence, spot existence ● Count: Pattern count, spot count ● Measurement: Brightness analysis, contrast measurement
Solution capacity	Supports solution importing and exporting, up to 8 solutions and 40 modules can be stored.
Communication protocol	Serial Port, TCP, UDP, FTP, Profinet, Modbus, Ethernet/IP
Camera	
Sensor type	CMOS, global shutter
Pixel size	6.9 μm × 6.9 μm
Sensor size	1/2.9"
Resolution	704 × 540
Max. frame rate	60 fps
Dynamic range	74 dB
SNR	41 dB
Gain	0 dB to 15 dB
Exposure time	16 μs to 1 sec
Pixel format	Mono 8
Mono/color	Mono
Electrical features	
Data interface	Fast Ethernet
Digital I/O	17-pin M12 connector provides power, Ethernet, serial port, and digital I/O, including configurable I/O × 4 (Line 0/1/2/3). Device trigger via pressing button supported. Output signals support NPN only.
Power supply	12 VDC to 24 VDC
Max. power consumption	Approx. 7.5 W@12 VDC
Mechanical	
Lens mount	M10-mount, adjusting focus manually supported
Focal length	6 mm (0.2")
Lens cap	Transparent lens cap.
Light source	White LED lamp × 4
Indicator	Power indicator (PWR), network indicator (LNK), and status indicator (STS).
Dimension	46 mm × 38 mm × 25 mm (1.8" × 1.5" × 1.0")
Weight	Approx. 160 g (0.35 lb.)
Ingress protection	IP65 (under proper installation of lens and wiring)
Temperature	Working temperature: 0 °C to 50 °C (32 °F to 122 °F) Storage temperature: -30 °C to 70 °C (-22 °F to 158 °F)
Humidity	20% to 95% RH, non-condensing
General	
Client software	SCMVS
Certification	CE, FCC, KC

Detection Range

Lens focal length	Installation distance	Field of view	Single pixel accuracy
6 mm (0.2")	40 mm (1.6")	29 mm × 22 mm (1.1" × 0.9")	0.041 mm
	120 mm (4.7")	87 mm × 66 mm (3.4" × 2.6")	0.123 mm



HIKROBOT

Hangzhou Hikrobot Technology Co., Ltd.
No.399 Danfeng Road, Binjiang District, Hangzhou 310051, China.
en.hikrobotics.com

Copyright Hikrobot

Hangzhou Hikrobot Technology Co., Ltd. All Rights Reserved. Hangzhou Hikrobot Technology does not tolerate any infringement. Any organization or individual may not imitate or reproduce in whole or in part of the content. The data herein is based on Hikrobot's internal evaluation. Actual data may vary depending on specific configuration and operating condition. The information herein is subject to change without notice. All the content has been checked conscientiously. Nevertheless, Hikrobot shall not be liable to damages resulting from errors, inconsistencies or omissions.