

# MV-SI668

## 20 MP X86 Open Platform



### Introduction

MV-SI668 is an open platform for users to develop their own programs according to actual demands. It has multiple interfaces, such as IO, serial port and extended interface, to communicate with other devices.

### Key Feature

- Adopts sensor platform for high-speed image processing.
- Open platform for users to develop their own programs.
- Multiple IO interfaces for input and output signals.
- Multiple LED indicators indicating real-time status to assist the configuration and debugging on site.
- Supports saving and exporting logs.
- Supports external extended module for meeting different application demands.

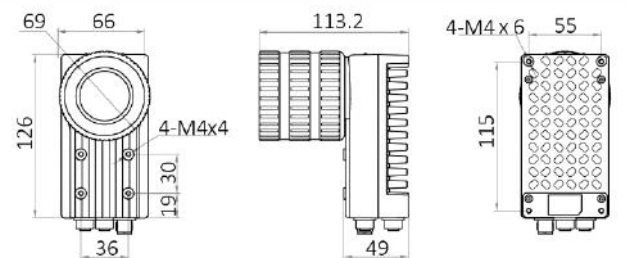
### Applicable Industry

Consumer electronics, food and beverage, pharmaceutical, automobile, etc.

### Available Model

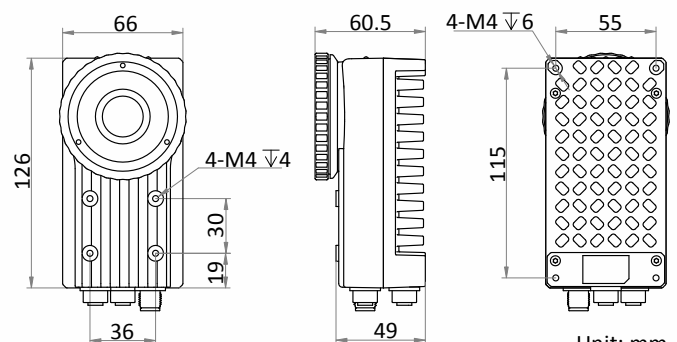
- MV-SI668-07GM (without lens cap and light source)
- MV-SI668-08GM (with lens cap and light source)

### Dimension



Unit: mm

MV-SI668-08GM



Unit: mm

MV-SI668-07GM



# Specification

Model	MV-SI668-07GM	MV-SI668-08GM
<i>Tool</i>		
Function module	Open platform	
<i>Camera</i>		
Sensor type	CMOS, rolling shutter	
Sensor model	Sony® IMX183	
Pixel size	2.4 μm × 2.4 μm	
Sensor size	1"	
Resolution	5427 × 3648	
Max. frame rate	10 fps	
Dynamic range	60 dB	
SNR	40 dB	
Gain	0 dB to 20 dB	
Exposure time	16 μs to 2.5 sec	
Pixel format	Mono 8	
Mono/color	Mono	
<i>Platform</i>		
Platform type	Intel® X86 framework. Intel® E3845, quad-core CPU, 1.9 GHz	
Operating system	64-bit Windows 10	
Memory	DDR3L 4 GB	
Storage	128 GB SSD	
<i>Electrical feature</i>		
Data interface	Gigabit Ethernet interface	
Digital I/O	12-pin M12 connector, including opto input × 3 (LineIn 0/1/2), opto output × 3 (LineOut 0/1/2), and RS-232 × 1.	
Extended interface	17-pin extended interface for connecting extended module	
Power supply	12 VDC to 24 VDC	24 VDC
Power consumption	Approx. 24 W@24 VDC	Approx. 34 W@24 VDC
<i>Mechanical</i>		
Lens mount	C-mount	
Lens cap	Not support	Transparent lens cap
Light source	Not Support	White light
Indicator	Power indicator (PWR), network indicator (LNK/ACT), and user-defined indicator (U1/U2)	
Dimension	126 mm × 66 mm × 60.5 mm (5.0" × 2.6" × 2.4")	126 mm × 66 mm × 113.2 mm (5.0" × 2.6" × 4.5")
Weight	Approx. 550 g (1.2 lb.)	Approx. 750 g (1.7 lb.)
Ingress protection	IP67 (under proper installation of lens and wiring)	
Temperature	Working temperature: 0 °C to 50 °C (32 °F to 122 °F) Storage temperature: -30 °C to 70 °C (-22 °F to 158 °F)	
Humidity	20% to 95% RH, non-condensing	
<i>General</i>		
Client software	MVS, VisionMaster	
Certification	CE, FCC, RoHS	

## HIKROBOT

Hangzhou Hikrobot Technology Co., Ltd.  
No.399 Danfeng Road, Binjiang District, Hangzhou 310051, China.  
en.hikrobotics.com

Copyright Hikrobot

Hangzhou Hikrobot Technology Co., Ltd. All Rights Reserved. Hangzhou Hikrobot Technology does not tolerate any infringement. Any organization or individual may not imitate or reproduce in whole or in part of the content. The data herein is based on Hikrobot's internal evaluation. Actual data may vary depending on specific configuration and operating condition. The information herein is subject to change without notice. All the content has been checked conscientiously. Nevertheless, Hikrobot shall not be liable to damages resulting from errors, inconsistencies or omissions.