

# MOMENT

## High Resolution, High Speed Global Shutter sCMOS

Teledyne Photometrics puts the right tool in your hands when the goal is fast, high resolution imaging and documentation in true plug-and-play fashion. This 7 MP global shutter sCMOS camera provides a large field of view and small pixels to maintain high resolution imaging at low magnification.

At 50 frames per second with a true global shutter, it is capable of high speed imaging without the possibility of distortion when imaging fast moving objects. Even with this high speed and large number of pixels, the camera handles the data smoothly via the new super speed USB 3.2 Gen 2 interface, which makes integration and connectivity simple

- Easy to integrate
- Simple connection
- High framerate
- True global shutter



- ▶ 73% Quantum Efficiency
- ▶ 4.5µm x 4.5µm Pixel Area
- ▶ 50 fps Full-Frame
- ▶ Global Shutter sCMOS
- ▶ USB 3.2 Gen 2 Interface

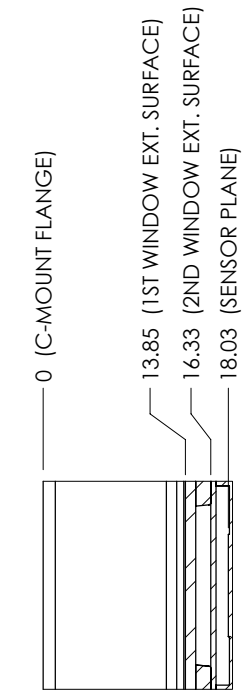
| Specifications         | Camera Performance                      |
|------------------------|---|
| Sensor                 | Photometrics Sony-based Scientific CMOS |
| Active Array Size      | 3200 x 2200 (7 Megapixel)               |
| Pixel Area             | 4.5µm x 4.5µm                           |
| Sensor Area            | 14.4mm x 9.9mm, 17.5mm diagonal         |
| Peak QE%               | 73%                                     |
| Read Noise             | 2.2 e <sup>-</sup>                      |
| Full-Well Capacity     | 8200e <sup>-</sup>                      |
| Framerate (full-frame) | 50 fps                                  |
| Bit Depth              | 12-bit                                  |
| Shutter Type           | Global Shutter                          |
| Cooling                | Uncooled                                |
| Interface              | USB 3.2 Gen 2 (10 Gbps)                 |
| Triggers               | 1 Input<br>1 Output                     |

Frame Rate

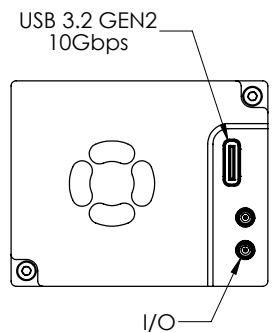
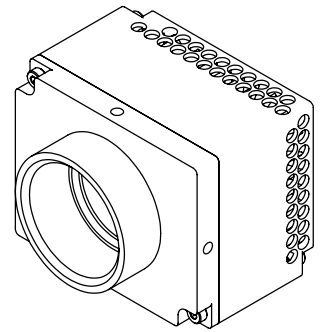
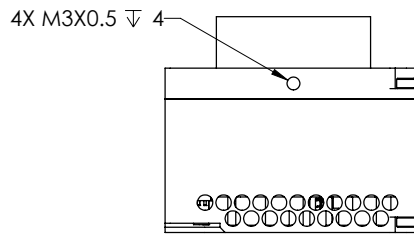
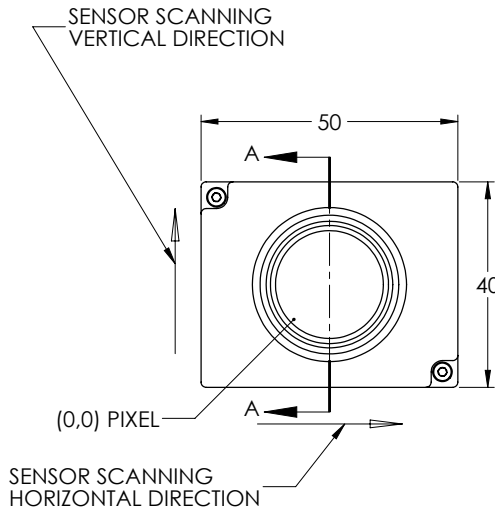
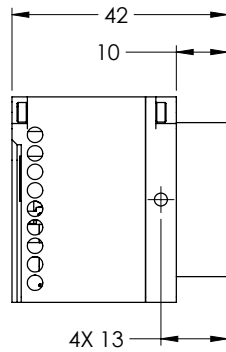
| Array Size  | Speed |
|-------------|-------|
| 3200 x 2200 | 51    |
| 3200 x 1100 | 100   |
| 3200 x 550  | 193   |
| 3200 x 275  | 353   |
| 3200 x 8    | 2071  |

Accessories (Included)

- USB 3.2 Cable
- Quickstart Guide
- Trigger Cable



SECTION A-A (CROPPED)  
 SCALE 2 : 1



Teledyne Photometrics is a registered trademark. Kinetix is a trademark of Teledyne Photometrics. All other brand and product names are the trademarks of their respective owners.

Specifications in this datasheet are subject to change. Refer to the Teledyne Photometrics website for most current specifications.



[www.photometrics.com](http://www.photometrics.com)  
[photometrics.info@teledyne.com](mailto:photometrics.info@teledyne.com)/ tel: +1 520.889.9933



**TELEDYNE IMAGING**  
 Everywhere you look™