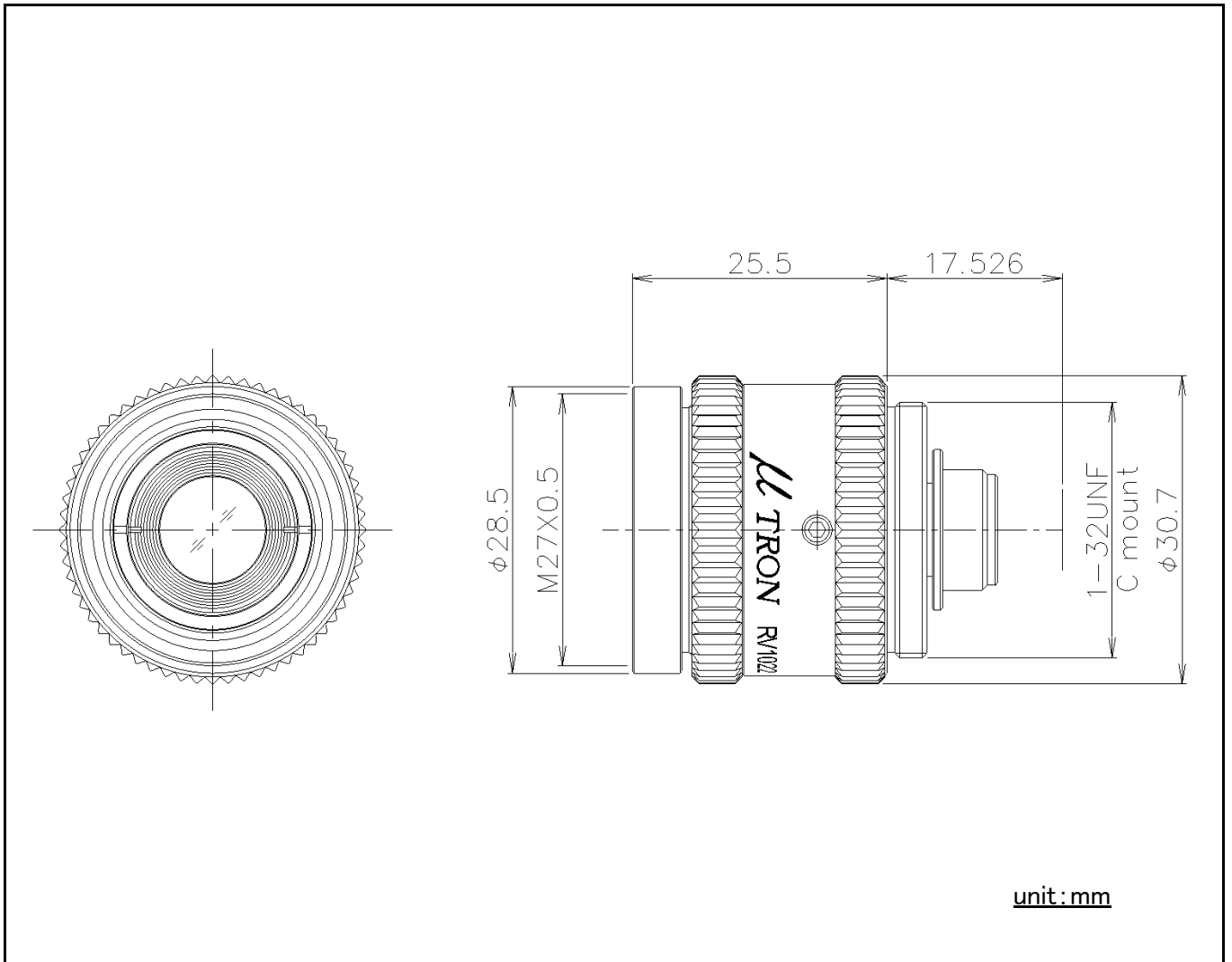


RV1022

Resistance against vibration Lens



Model	RV1022
Application	Resistance against vibration Lens
Focal length	10mm
Maximum Object Magnification	0.1x
Range of WD	0.1m - ∞
Effective F No.	F2.2, F4, F5.6, F8 (choice)
TV distortion	-0.08%
Angle of view (H x V)	34.61° x 26.31°
Image Format	1/2"
Weight	Approx. 36g
Mount	C mount
Filter Size	M27X0.5

◦Specifications mentioned above are design values.

◦Specifications and dimensions are subject to change without notice.